



# EPG2 ELECTRICALLY Operated Grease Pump

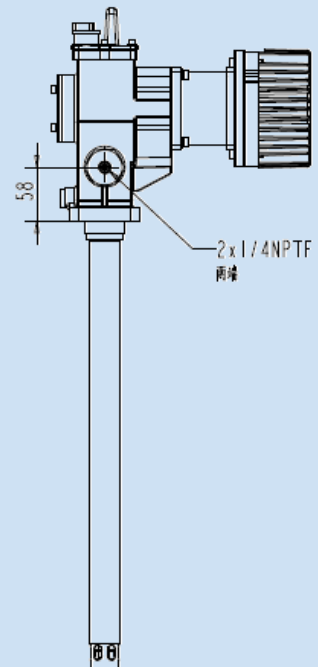
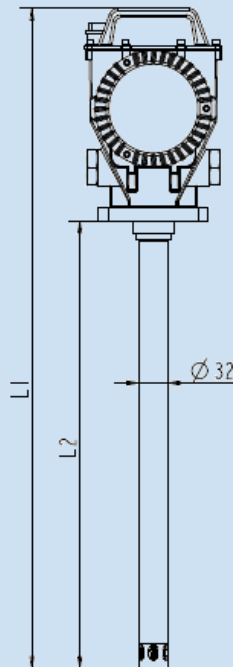
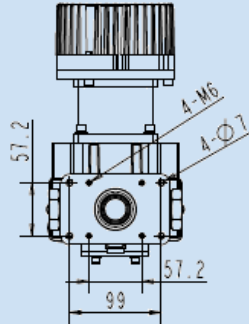
Mobile Mining Equipment



NOW AVAILABLE  
IN AUSTRALIA

Automatic Lubrication Systems





MAXIMUM SYSTEM PRESSURE	35MPA
PRODUCT SPECIFICATIONS	16KG、27KG、41KG、180KG
MOTOR OPERATING VOLTAGE	24VDC、220VAC、380VAC
MOTOR POWER	200W
MOTOR SPEED	1500RPM
REDUCTION RATIO	8:1、20:1、40:1
DISPLACEMENT PER CYCLE	1.15CC
OUTLET THREAD	1/4NPTF INTERNAL THREAD (PUMP TUBE)
WORKING TEMPERATURE	-40°C~65°C
PROTECTION LEVEL	IP65
GREASE	UP TO NLGI2#



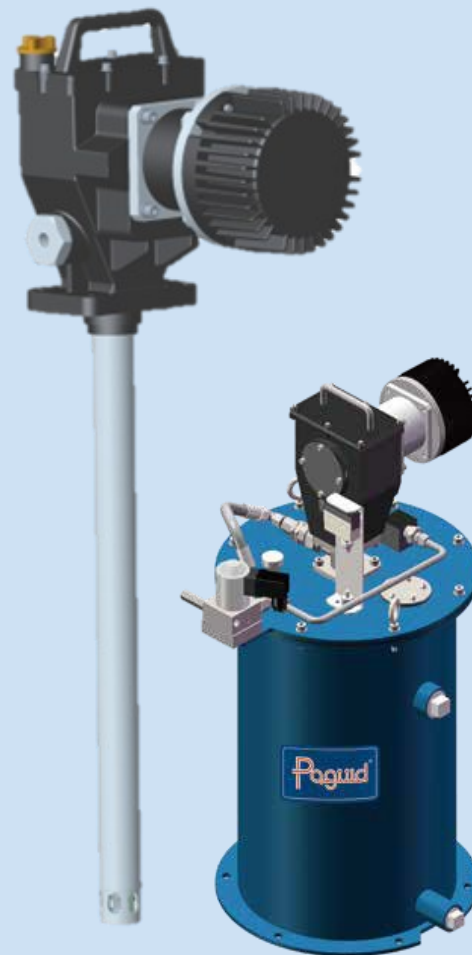
## EPG2 Series of Electric Lubrication Pump

The EPG2 electric lubrication pump is suitable for single line lubrication systems.

Powered by a motor, this pump is suitable for single-line lubrication systems; All metal structure, suitable for complex and variable working conditions; Its wide working temperature range ensures durability and applicability under various conditions.

The EPG2 series is a lubrication pump driven and controlled by an electric motor. The displacement of the lubrication pump is linearly related to the motor speed and is often suitable for complex and variable working conditions.

The EPG2 lubrication pump is driven by a motor and used in conjunction with the control system. When grease needs to be added to the lubrication area, the motor and solenoid valve are powered on, and the lubrication pump starts working. When the injectors completes the grease filling operation and the pressure in the main pipeline of the system rises to the set pressure, the pressure switch sends a feedback signal to the control system, which cuts off the power supply to the motor and solenoid valve. The system releases pressure and enters the next lubrication cycle.



### ORDERING INFORMATION

PART NUMBER	DESCRIPTION
PG-342-113909-01	EPG2-16, 16KG, ELECTRIC LUBRICATING PUMP, 24V
PG-342-113909-00	EPG2-27, 27KG, ELECTRIC LUBRICATING PUMP, 24V
PG-342-113909-02	EPG2-41, 41KG, ELECTRIC LUBRICATING PUMP, 24V
PG-342-113909-03	EPG2-180, 180KG, ELECTRIC LUBRICATING PUMP, 24V