



PG203 Series of Electric Lubrication Pump

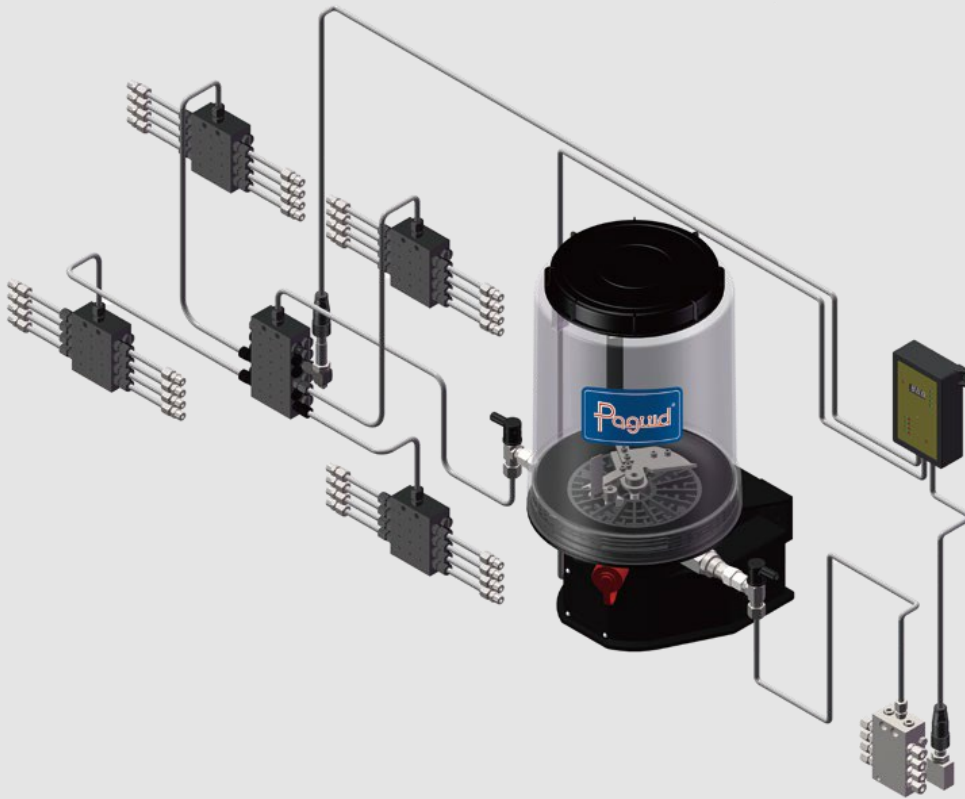
CONSTRUCTION MACHINERY | BUS CHASSIS | ROAD
TRANSPORT | SMALL AND MEDIUM-SIZED MECHANICAL
EQUIPMENT

“FLUID EQUIPMENT SPECIALISTS”



Automatic Lubrication Systems

WWW.SILVERIENG.COM | SALES@SILVERIENG.COM | 1300 716 413 | WHATSAPP +61 458 047 075



The Progressive Lubrication System is composed of a supply unit, a progressive distribution unit, pipeline accessories, and a control unit. Under the pressure from the supply unit, the progressive distribution unit dispenses the quantitative lubricant to each lubrication point in a progressive order.

The Progressive Lubrication System monitors the operation status of the whole system through the control unit. The system adopts timing control mode or counting control mode; in timing mode, the lubrication time/intermittent time is adjustable; in counting mode, the lubrication frequency/intermittent time can be adjusted. It is mainly used by small and medium-sized equipment that requires centralized and continuous lubrication.





PG203

SERIES OF ELECTRIC LUBRICATION PUMP

The PG203 electric lubrication pump is an automatic centralized lubrication pump with excellent performance that can supports up to three pump elements. It is suitable for progressive centralized lubrication systems and is commonly used in construction machinery, bus chassis, and small and medium-sized mechanical equipment.

It boasts strong versatility, a compact structure, and excellent working performance. The integrated pump base makes it highly economical and widely used.

The system can be equipped with a low-level alarm, a blockage alarm, and a control unit, which greatly expands the industry application scope of the PG203 electric lubrication pump.



SYSTEM PRESSURE	35MPA						
RESERVOIR CAPACITY	2L、4L、8L						
OPERATING VOLTAGE	12VDC、24VDC、230VAC						
PUMP ELEMENT ML/MINUTE	K5	K6-2.5	K6	K7	K8	KR7	KR8
	2	2.5	2.8	4	5	0.7-3	1.3-5
NUMBER OF PUMP ELEMENTS	1-3 OUTLETS						
GREASE OUTLET THREAD	G1/4 INNER THREAD						
OPERATING TEMPERATURE	-40° C - +80° C						
PROTECTION CLASS	IP65						
APPLICABLE GREASE TYPE	UP TO NLGI 2#						

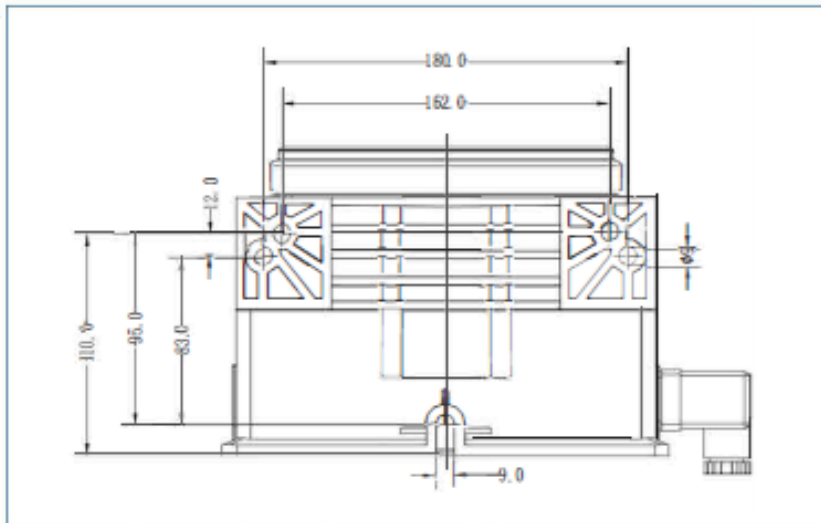
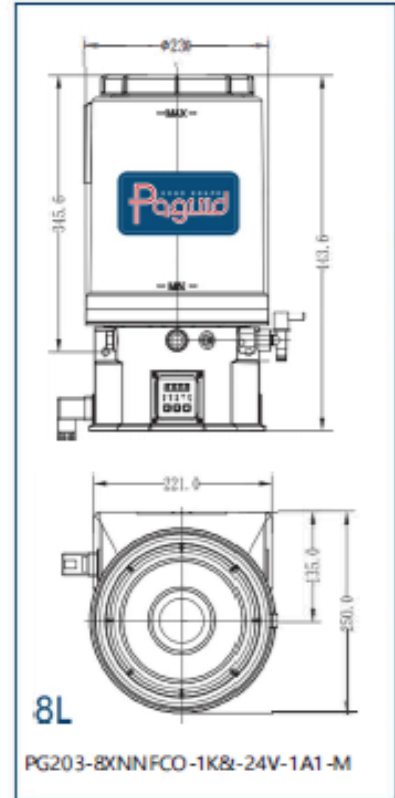
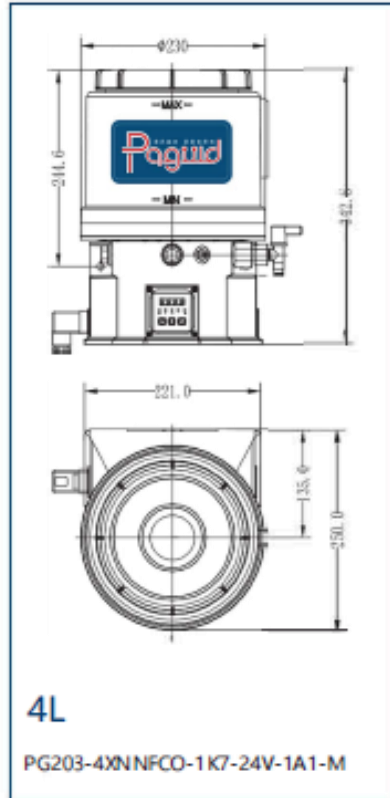
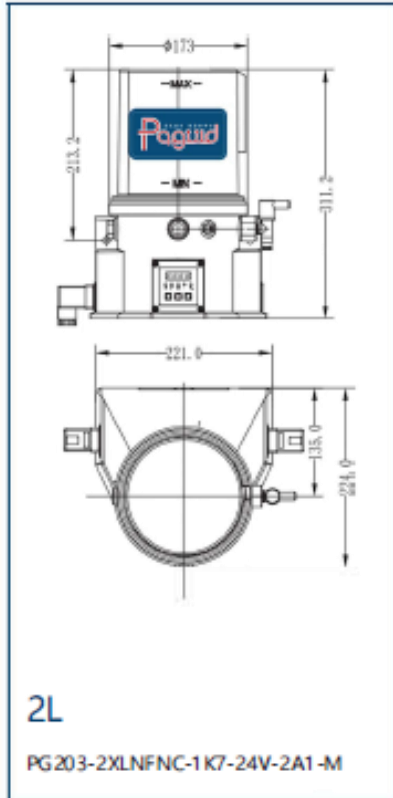
SUBSTITUTES LINCOLN SKF P203 PUMP

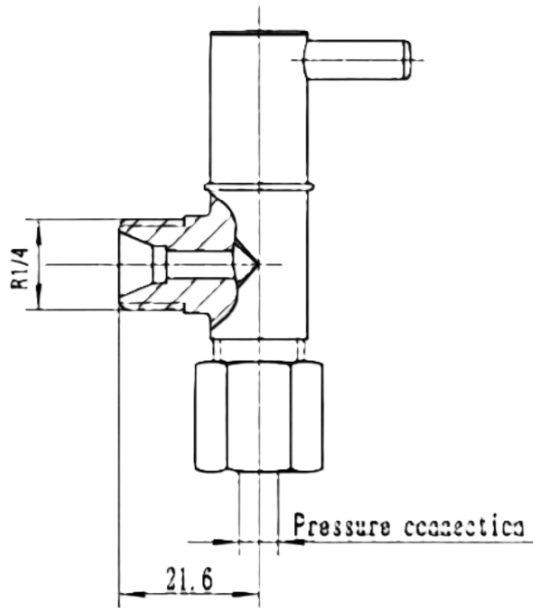
PART NUMBER	DESCRIPTION
PG-501-132045-06	PG203-2XLNFCO-1K7-24V-1A1-M
PG-501-132046-06	PG203-4XLNFCO-1K7-24V-1A1-M
PG-501-132047-06	PG203-8XLNFCO-1K7-24V-1A1-M



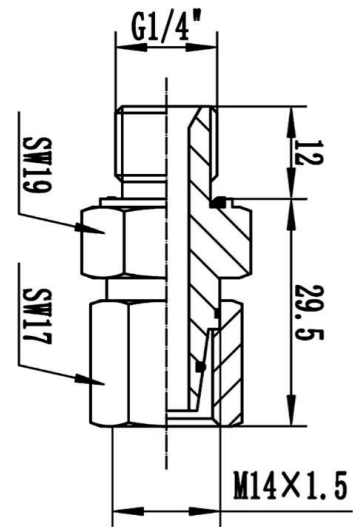
WWW.SILVERIENG.COM | SALES@SILVERIENG.COM | 1300 716 413 | WHATSAPP +61 458 047 075

Pump Dimensions



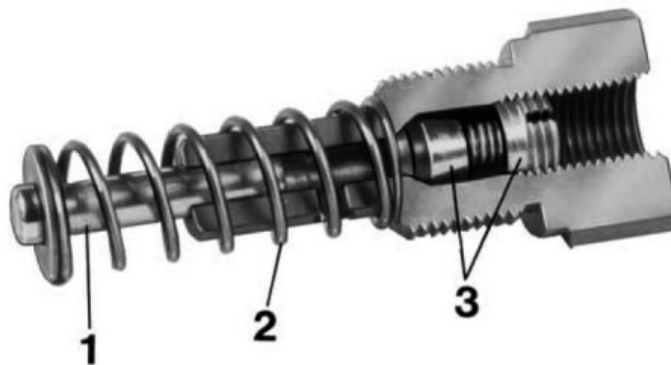


Pressure Relief Valve



Relief Valve Adapter

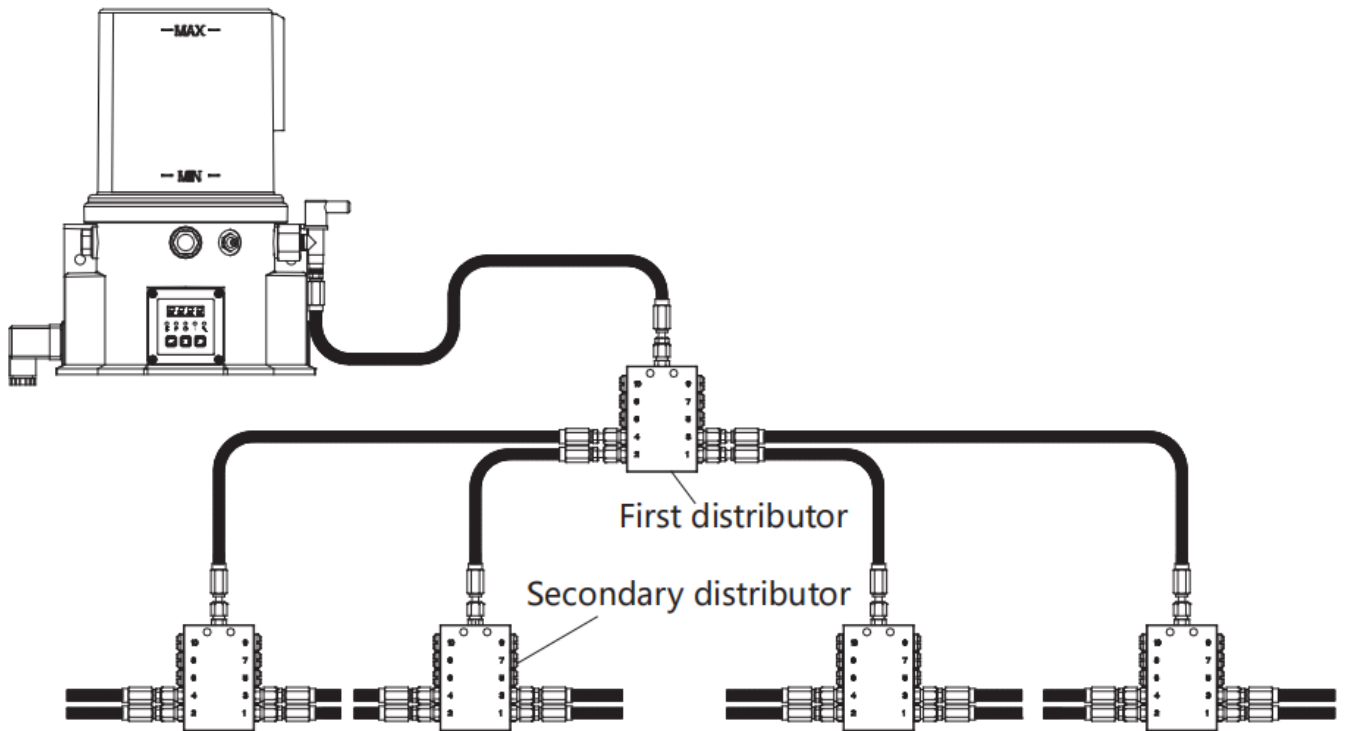
Element



1. Piston
2. Return Spring
3. Check Valve



Sample Configuration




Paguid Automatic Lubrication Systems

WWW.SILVERIENG.COM | SALES@SILVERIENG.COM | 1300 716 413 | WHATSAPP +61 458 047 075



PG-203

ELEMENTS, RELIEF VALVES, BRACKETS



PG-537-101418-05 K5 PUMP ELEMENT
TO SUIT PG203



PG-537-100271-06 K6 ELEMENT
TO SUIT PG203



PG-537-100078-00 K7 ELEMMENT
TO SUIT PG203



PG-080-1101003-00, ADJUSTABLE
ELEMMENT
TO SUIT PG203



PG-102-102641-01 RELIEF VALVE
TO SUIT PG203



PG-306-102175-00
RELIEF VALVE ADAPTER



PG-539-113625-00 BRACKET
FOR PG203 INSTALLATION

PART NUMBER	DESCRIPTION
PG-531-109527 -01	SSVD DISPLACEMENT SCREWS 0.08ML (MOQ 10)
PG-531-109527 -04	SSVD DISPLACEMENT SCREWS 0.3ML (MOQ 10)
PG-531-109527 -06	SSVD DISPLACEMENT SCREWS 0.6ML (MOQ 10)
PG-531-109527 -07	SSVD DISPLACEMENT SCREWS 0.8ML (MOQ 10)
PG-531-109527 -10	SSVD DISPLACEMENT SCREWS 1.8ML (MOQ 10)

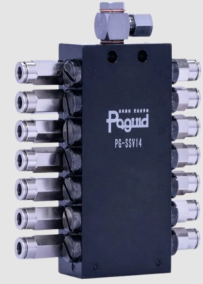


SUBSTITUTES LINCOLN SKF P203 PUMP



Automatic Lubrication Systems

WWW.SILVERIENG.COM | SALES@SILVERIENG.COM | 1300 716 413 | WHATSAPP +61 458 047 075



PG-SSV DISTRIBUTOR BLOCKS

The PG-SSV distributor is a piston valve that supplies a fixed quantity of grease each time. By blocking an outlet, it can be supplied to the following outlet, so that the next outlet grease quantity can be doubled and the different demands can be achieved. A major feature of the PG-SSV distributor is each outlet is progressive, and the latter outlet must wait until the former outlet releases grease.

The working condition of the distributor can be checked by adding visualized monitors or electronic monitors. Each distributor has 6-24 (all even numbers) outlets and is able to deliver grease up to NLGI 2# or grease with a viscosity greater than 40cSt. The PG-SSV distributor is made of non-fragile and non-metallic sealing materials. Its superior sliding valve and high pressure-resistant end sealing structure (metal contact seal) make it able to withstand high temperature, high cold, and other harsh working conditions.



NUMBER OF OUTLETS	6-24 OUTLETS
MAXIMUM WORKING PRESSURE	350 BAR
MAXIMUM PRESSURE DIFFERENTIAL	100 BAR
DISPLACEMENT OF EACH OUTLET	0.2CC
INLET THREAD	G1/8" INNER THREAD
OUTLET THREAD	M10 X 1 (NEEDS TO BE EQUIPPED WITH AN OUTLET ON WAY VALVE)
MATERIAL	CARBON STEEL, GALVANISED NICKEL ALLOY
WORKING TEMPERATURE	-40° C - +80° C

PART NUMBER	DESCRIPTION
PG-401-100091-06	PG-SSV DISTRIBUTOR BLOCKS - 6 OUTLET BLOCK
PG-401-100091-08	PG-SSV DISTRIBUTOR BLOCKS - 8 OUTLET BLOCK
PG-401-100091-10	PG-SSV DISTRIBUTOR BLOCKS - 10 OUTLET BLOCK
PG-401-100091-12	PG-SSV DISTRIBUTOR BLOCKS - 12 OUTLET BLOCK
PG-401-100091-14	PG-SSV DISTRIBUTOR BLOCKS - 14 OUTLET BLOCK
PG-401-100091-16	PG-SSV DISTRIBUTOR BLOCKS - 16 OUTLET BLOCK
PG-401-100091-18	PG-SSV DISTRIBUTOR BLOCKS - 18 OUTLET BLOCK
PG-401-100091-20	PG-SSV DISTRIBUTOR BLOCKS - 20 OUTLET BLOCK
PG-401-100091-22	PG-SSV DISTRIBUTOR BLOCKS - 22 OUTLET BLOCK
PG-401-100091-24	PG-SSV DISTRIBUTOR BLOCKS - 24 OUTLET BLOCK

SUBSTITUTES LINCOLN SKF P203 PUMP



Automatic Lubrication Systems

WWW.SILVERIENG.COM | SALES@SILVERIENG.COM | 1300 716 413 | WHATSAPP +61 458 047 075



PG-SSVD DISTRIBUTOR BLOCKS

The displacement of each outlet on the PG- SSVD distributor is adjusted by using measuring bolts with different lengths. After installation, the metering bolts can be replaced quickly to adjust the displacement.

The PG- SSVD distributor inherits the basic functions of the PG-SSVD distributor. Its outlets can also be merged to provide more displacement options. The PG-SSVD distributor has no leakage and no pollution; it is also resistant to high temperatures and corrosive environments.



NUMBER OF OUTLETS	6-22 OUTLETS
MAXIMUM WORKING PRESSURE	350 BAR
MAXIMUM PRESSURE DIFFERENTIAL	100 BAR
DISPLACEMENT OF EACH OUTLET	0.08CC/0.14CC/0.2CC/0.3CC/0.4CC/0.6CC/0.8CC/1.0CC/1.4CC/1.8CC
INLET THREAD	G1/8" INNER THREAD
OUTLET THREAD	M10 X 1 (NEEDS TO BE EQUIPPED WITH AN OUTLET ON WAY VALVE)
MATERIAL	CARBON STEEL, GALVANISED NICKEL ALLOY
WORKING TEMPERATURE	-40° C - +80° C

PART NUMBER	DESCRIPTION
PG-401-111066 -06	PG-SSVD DISTRIBUTOR BLOCKS - 6 OUTLET BLOCK
PG-401-111066 -08	PG-SSVD DISTRIBUTOR BLOCKS - 8 OUTLET BLOCK
PG-401-111066 -10	PG-SSVD DISTRIBUTOR BLOCKS -10 OUTLET BLOCK
PG-401-111066 -12	PG-SSVD DISTRIBUTOR BLOCKS - 12 OUTLET BLOCK
PG-401-111066 -14	PG-SSVD DISTRIBUTOR BLOCKS - 14 OUTLET BLOCK
PG-401-111066 -16	PG-SSVD DISTRIBUTOR BLOCKS - 16 OUTLET BLOCK
PG-401-111066 -18	PG-SSVD DISTRIBUTOR BLOCKS - 18 OUTLET BLOCK
PG-401-111066 -20	PG-SSVD DISTRIBUTOR BLOCKS - 20 OUTLET BLOCK
PG-401-111066 -22	PG-SSVD DISTRIBUTOR BLOCKS - 22 OUTLET BLOCK

PART NUMBER	DESCRIPTION
PG-531-109527 -01	SSVD DISPLACEMENT SCREWS 0.08ML (MOQ 10)
PG-531-109527 -04	SSVD DISPLACEMENT SCREWS 0.3ML (MOQ 10)
PG-531-109527 -06	SSVD DISPLACEMENT SCREWS 0.6ML (MOQ 10)
PG-531-109527 -07	SSVD DISPLACEMENT SCREWS 0.8ML (MOQ 10)
PG-531-109527 -10	SSVD DISPLACEMENT SCREWS 1.8ML (MOQ 10)



WWW.SILVERIENG.COM | SALES@SILVERIENG.COM | 1300 716 413 | WHATSAPP +61 458 047 075



HOSE & FITTINGS CENTRALISED LUBRICATION SYSTEMS



WWW.SILVERIENG.COM | SALES@SILVERIENG.COM | 1300 716 413 | WHATSAPP +61 458 047 075



LUBRICATION HOSE & FITTINGS



LHF-100-001

HIGH PRESSURE HOSE - 840 BAR Ø4 |
GREASE FILLED



LHF-100-002

HIGH PRESSURE HOSE - 840 BAR Ø4 |
UNFILLED



LHF-100-003

PLASTIC TUBE PA 12 HL SEMI-RIGID
DIN 73378 D6 | S 1,5 | BLACK | UN-
FILLED



LHF -100-004

PLASTIC TUBE PA 12 HL SEMI-RIGID
DIN 73378 D6 | S 1,5 | BLACK |
FILLED



LHF -100-006

PLASTIC TUBE PA 12 PHL FLEXIBLE
DIN 73378 D4 | S 0,85 | BLACK | UN-
FILLED



LHF -100-040

SPIRAL WRAP D6 | L 10 | S 1



LHF -100-041

SPIRAL WRAP D11,5 | L 10 | S 1,5



LHF -100-050

SCREW SLEEVE L28 | SW 12 | HOSE Ø
4 (CHROME)



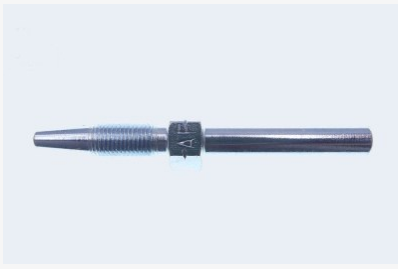
LHF -100-050-SW

SCREW SLEEVE BLACK L28 | SW 12 |
HOSE Ø 4 (BLACK)





LUBRICATION HOSE & FITTINGS



LHF -100-051

HOSE STUD STRAIGHT D6 | L 61 | L1
30 | HOSE



LHF -100-051-1

HOSE STUD STRAIGHT D1/8 NPT | L 56
| HOSE Ø 1/8"



LHF -100-051-NUT-SW

HOSE STUD STRAIGHT GROOVED,
BLACK D 6 | L 61 | L1 30 | HOSE Ø 4



LHF -100-052

HOSE STUD 90° D6 | H 13 | L 21 |
HOSE Ø 4



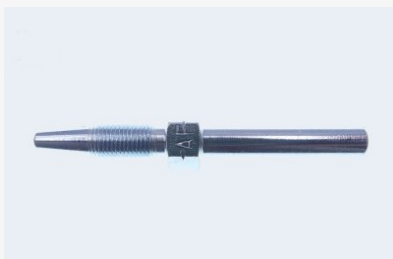
LHF -100-053-NUT

HOSE STUD 90° GROOVED D6 | H 28
| L 37 | HOSE Ø 4



LHF -100-054-NUT-SW

HOSE STUD STRAIGHT GROOVED,
BLACK D 6 | L 52,5 | L1 21,5 | HOSE Ø
4



LHF -100-055

HOSE STUD STRAIGHT D6 | L 55 | L1
24 | HOSE Ø 4



LHF -100-057

HOSE STUD 45° GROOVED D6 | H 24
| L 15 | HOSE Ø 4



LHF -100-057-NUT

HOSE STUD 45° GROOVED D6 | H 24
| L 15 | HOSE Ø 4





LUBRICATION HOSE & FITTINGS



LHF -100-061

HOSE STUD STRAIGHT L 56 | L1 25 |
HOSE Ø 4



LHF -100-064

HOSE STUD STRAIGHT, D6 | L 65,5 |
L1 22 | HOSE Ø 6



LHF -100-064-VA

HOSE STUD STRAIGHT, 316 D6 | L
65,5 | L1 22 | HOSE Ø 6 SS



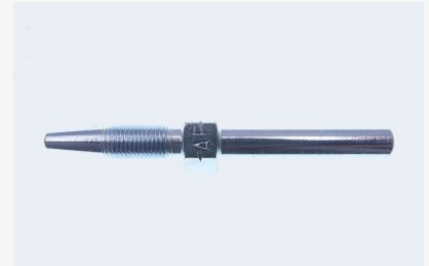
LHF -100-073

HOSE STUD 90°, D8 | H 23 | L 36 |
HOSE Ø 6



LHF -100-073-VA

HOSE STUD 90°, 316 D8 | H 23 | L 36
| HOSE Ø 6 SS



LHF -100-074-VA

HOSE STUD STRAIGHT, 316 D8 | L
65,5 | L1 22 | HOSE Ø 6 SS



LHF -100-074-VA

HOSE STUD STRAIGHT, D8 | L 65,5 |
L1 22 | HOSE Ø 6 (STAINLESS STEEL)



LHF -100-120

ADAPTER – EXTENSION-PIECE GM6 X
1 TAP | G1 M 8 X 1 L L 19 | SW 11



LHF -100-130

ADAPTER – EXTENSION-PIECE G M 8 X
1 TAP | G1 M 8 X 1 L L 18 | SW 11



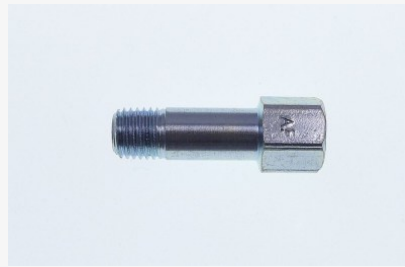


LUBRICATION HOSE & FITTINGS



LHF -100-141

ADAPTER – EXTENSION-PIECE G M 10 X 1 TAP | G1 M 10 X 1 L L23 | SW 13



LHF -100-170

ADAPTER – EXTENSION-PIECE G M 8 X 1 TAP | G1 RP 1/8 BSP L L 23 | SW 13



LHF -100-210-1

GREASING BLOCK 1 G M 10 X 1 | D 2 X 6,5 | 20X20



LHF -100-210-2

GREASING BLOCK 2G M 10 X 1 | D 2 X 6,5 | 20X20



LHF -100-243-SW

CLOSURE PLUG STEEL BLACK G M 10 X 1 | L 4,5



LHF -100-722

ADAPTER 90° G M 8 X 1 TAP | G1 M 8 X 1 | SW 23 | SW 12



LHF -100-723

ADAPTER 90° G M 10 X 1 TAP | G1 M 8 X 1 | SW 23 | SW 12



LHF -100-744

ADAPTER 90° G R 1/8 BSP TAP | G1 RP 1/8 BSP | L 23 | SW 13



LHF -100-822

ADAPTER 45° G M 8 X 1 TAP | G1 M 8 X 1 | L 23 | SW 13





LUBRICATION HOSE & FITTINGS



LHF -100-823

ADAPTER 45° G M 10 X 1 TAP | G1 M
8X1 | L 23 | SW 13



LHF -100-844

ADAPTER 45° G R 1/8 BSP TAP | G1
RP 1/8 BSP | L 23 | SW 13



LHF -104-054

QUICK CONNECTOR STRAIGHT D4 | G
R 1/8 BSP TAP | SW 10



LHF -104-114

ELBOW QUICK CONNECTOR PIVOT-
ABLE D4 | G R 1/8 BSP TAP | SW 13



LHF -104-115-UNF

ELBOW QUICK CONNECTOR PIVOT-
ABLE D4 | G 1/4 - 28 UNF | SW 13



LHF -104-154

ELBOW QUICK CONNECTOR D 4 | G R
1/8 BSP TAP | SW 10



LHF -104-155-UNF

ELBOW QUICK CONNECTOR D 4 | G
1/4 - 28 UNF | SW 10



LHF -106-000

STRAIGHT TUBE CONNECTOR LL | D 6
| D1 6



LHF -106-001

STRAIGHT MALE SCREW-IN FITTING
LL | D 6 | G M 6 X 1 TAP | SW 11 |
SW1 12





LUBRICATION HOSE & FITTINGS



LHF -106-002

STRAIGHT MALE SCREW-IN FITTING
LL | D 6 | G M 8 X 1 TAP | SW 11 |
SW1 12



LHF -106-003

STRAIGHT MALE SCREW-IN FITTING
LL | D 6 | G M 10 X 1 TAP | SW 11 |
SW1 12



LHF -106-003-RVL

NON-RETURN VALVE 24° WITH
CLAMPING RING COMPLETELL | D 6
| G M 10 X 1 | BLACK



LHF -106-004

STRAIGHT MALE SCREW-IN FITTING
LL | D 6 | G R 1/8 BSP TAP | SW 11 |
SW1 12



LHF -106-004-NPT

STRAIGHT MALE SCREW-IN FITTING
LL | D 6 | G 1/8 NPT | SW 11 | SW1
12



LHF -106-005

STRAIGHT MALE SCREW-IN FITTING
LL | D 6 | G R 1/4 BSP TAP | SW 11 |
SW1 12



LHF -106-051

QUICK CONNECTOR STRAIGHT D6 |
GM 6 X 1 TAP | SW 12



LHF -106-052

QUICK CONNECTOR STRAIGHT D6 |
GM 8 X 1 TAP | SW 12



LHF -106-053

QUICK CONNECTOR STRAIGHT D6 |
GM 10 X 1 TAP | SW 12





LUBRICATION HOSE & FITTINGS



LHF -106-054

QUICK CONNECTOR STRAIGHT D6 |
GR 1/8 BSP TAP | SW 12



LHF -106-101

ELBOW MALE SCREW-IN FITTING LL |
D 6 | G 6 X 1 TAP | SW 11 | SW1 12



LHF -106-102

ELBOW MALE SCREW-IN FITTING LL |
D 6 | G 8 X 1 TAP | SW 11 | SW1 12



LHF -106-102-8X1,25

ELBOW MALE SCREW-IN FITTING LL |
D 6 | G 8 X 1,25 TAP | SW 11 | SW1
12



LHF -106-103

ELBOW MALE SCREW-IN FITTING LL |
D 6 | G 10 X 1 TAP | SW 11 | SW1 12



LHF -106-104

ELBOW MALE SCREW-IN FITTING LL |
D 6 | G R 1/8 BSP TAP | SW 11 | SW1
12



LHF -106-104-NPT

ELBOW MALE SCREW-IN FITTING LL |
D 6 | G 1/8 NPT | SW 11 | SW1 12



LHF -106-105-L

ELBOW MALE SCREW-IN FITTING L |
D 6 | G R 1/4 BSP TAP | SW 12 | SW1
14



LHF -106-110

STRAIGHT QUICK CONNECTOR D6 | L
29,5





LUBRICATION HOSE & FITTINGS



LHF -106-111

ELBOW QUICK CONNECTOR PIVOT-
ABLE D6 | G M 6 X 1 TAP | SW 13



LHF -106-112

ELBOW QUICK CONNECTOR PIVOT-
ABLE D6 | G M 8 X 1 TAP | SW 13



LHF -106-113

ELBOW QUICK CONNECTOR PIVOT-
ABLE D6 | G M 10 X 1 TAP | SW 13



LHF -106-114

ELBOW QUICK CONNECTOR PIVOT-
ABLE D6 | G R 1/8 BSP TAP | SW 13



LHF -106-114-NPT

ELBOW QUICK CONNECTOR PIVOT-
ABLE D 6 | G 1/8 NPT | SW 13



LHF -106-115-UNF

ELBOW QUICK CONNECTOR PIVOT-
ABLE D6 | G 1/4 - 28 UNF | SW 13



LHF -106-151

ELBOW QUICK CONNECTOR D6 | G M
6 X 1 TAP | SW 10



LHF -106-152

ELBOW QUICK CONNECTOR D 6 | G
M 8 X 1 TAP | SW 10



LHF -106-153

ELBOW QUICK CONNECTOR D6 | G M
10 X 1 TAP | SW 10



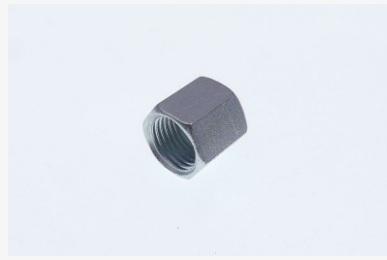


LUBRICATION HOSE & FITTINGS



LHF -106-154

ELBOW QUICK CONNECTOR D 6 | G R
1/8 BSP TAP | SW 10



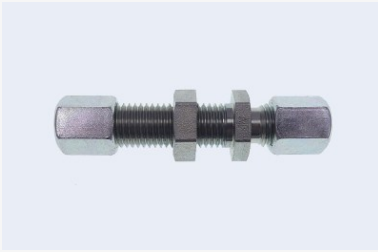
LHF -106-200

COUPLING NUT 24°LL | D6 | SW 12



LHF -106-210

CUTTING RING LL | D6



LHF -106-221-L

BULKHEAD STRAIGHT L | D6 | L 48



LHF -106-241-L

BULKHEAD STRAIGHT - FEMALE
THREAD L | D 6 | G M 6 X 1 IN. | L28



LHF -106-300

EQUAL TEE CONNECTOR LL | D 6



LHF -2010-101

QUICK CONNECTOR STRAIGHT D 1/4"
| G 1/4 - 28 UNF | SW 12



LHF -2010-102

QUICK CONNECTOR STRAIGHT D 1/4"
| G 1/8 NPT | SW 12



LHF -2011-102

ELBOW QUICK CONNECTOR D 1/4" |
G 1/8 NPT | SW 10





LUBRICATION HOSE & FITTINGS



LHF -2012-102

ELBOW QUICK CONNECTOR PIVOT-
ABLE D1/4" | G 1/8 NPT | SW 13



LHF -250-001

GREASE NIPPLE G M 6 X 1 TAP H 1
DIN 71412 A



LHF -250-003

GREASE NIPPLE G M 10 X 1 TAP H 1
DIN 71412 A



LHF -250-003-VA

GREASE NIPPLE STAINLESS STEEL
316G M 10 X 1 TAP H 1 DIN 71412 A



LHF -250-004

GREASE NIPPLE GR 1/8 BSPT H 1 DIN
71412 A



LHF -250-004-NPT

GREASE NIPPLE G1/8" - 27 NPT H 1
DIN 71412 A



LHF -250-004-VA

GREASE NIPPLE STAINLESS STEEL
316G R 1/8 BSPT H1 DIN 71412 A



LHF -251-003

GREASE NIPPLE 45°G M 10 X 1 TAP H
2 DIN 71412 B



LHF -251-004

GREASE NIPPLE 45°G R 1/8 BSPT H 2
DIN 71412 B





LUBRICATION HOSE & FITTINGS



LHF -251-004-NPT

GREASE NIPPLE 45°G 1/8-27 NPT H 2
DIN 71412 B



LHF -2510-106

ADAPTER – EXTENSION-PIECE G M 10
X 1 TAP | G1 RP 1/8 BSP L L 18 | SW
13



LHF -252-003

GREASE NIPPLE 90°G M 10 X 1 TAP H
3 DIN 71412 C



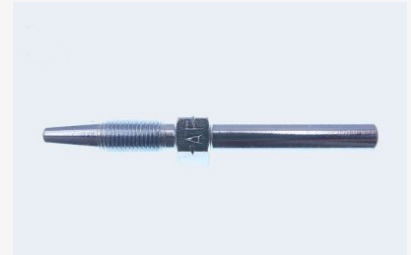
LHF -252-004

GREASE NIPPLE 90°G R1/8 BSPT H 3
DIN 71412 C



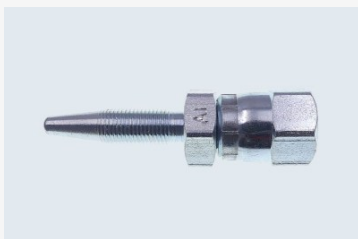
LHF -252-004-NPT

GREASE NIPPLE 90°G 1/8-27 NPT H 3
DIN 71412 C



LHF -3510-110

HOSE STUD STRAIGHT D 1/4 | L 61 |
L1 30 | HOSE Ø 4



LHF -3510-114

HOSE STUD STRAIGHT JICD JIC 37°
7/16 | L 27,5 | SW 14 | HOSE Ø 4



LHF -3511-111

HOSE STUD 90° GROOVED D 1/4" | H
28 | L 37 | HOSE Ø 4



LHF -3511-114

HOSE STUD 90° JICD JIC 37° 7/16 | H
20,7 | L 25,7 | HOSE Ø 4





LUBRICATION HOSE & FITTINGS



LHF -3511-116

HOSE STUD 90° GROOVED, BLACK D6
| H 17 | L 28 | HOSE Ø 4



LHF -3511-210

HOSE STUD 90°, 316D 6 | H 22 | L 45
| HOSE Ø 6



LHF -5029-103

GREASING BLOCK 3G M 10 X 1 | D 2 X
6,5 | 20X20



LHF -5029-111

GREASING BLOCK 1 G 1/8 BSP | D 2 X
6,5 | 20X20 (1 PORT)



LHF -5029-112

GREASING BLOCK 3 G 1/8 BSP | D 2 X
6,5 | 20X20 (3 PORT)



LHF -5029-113

GREASING BLOCK 3 G1/8 BSP | D 2 X
6,5 | 20X20 (3 PORT)



LHF -5029-114

GREASING BLOCK 4G 1/8 BSP | D 2 X
6,5 | 20X20 (4 PORT)



LHF -5029-115

GREASING BLOCK 5 G1/8 BSP | D 2 X
6,5 | 20X20 (5 PORT)



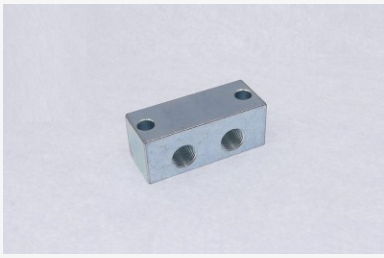
LHF -5029-116

GREASING BLOCK 6 G1/8 BSP | D 2 X
6,5 | 20X20 (6 PORT)





LUBRICATION HOSE & FITTINGS



LHF -5029-119

GREASING BLOCK 9 G1/8 BSP | D 2 X
6,5 | 20X20 (9 PORT)



LHF -5029-124

GREASING BLOCK 4 G1/8 NPT | D 2 X
6,5 | 20X20



LHF -5029-126

GREASING BLOCK 6 G1/8 NPT | D 2 X
6,5 | 20X20



LHF -5029-129

GREASING BLOCK 9 G1/8 NPT | D 2 X
6,5 | 20X20



LHF -5029-201

GREASING BLOCK 1 - 316 G M 10 X 1
| D 2 X 6,5 | 25X25 (STAINLESS STEEL)



LHF -5029-211

GREASING BLOCK 1 - 316 G M 10 X 1
| D 1 X 6,5 | 25X25 (STAINLESS STEEL)



LHF -5029-212

GREASING BLOCK 2 - 316 G M 10 X 1
| D 2 X 6,5 | 25X25 (STAINLESS STEEL)



LHF -5029-213

GREASING BLOCK 3 - 316 G M 10 X 1
| D 2 X 6,5 | 25X25 (STAINLESS STEEL)



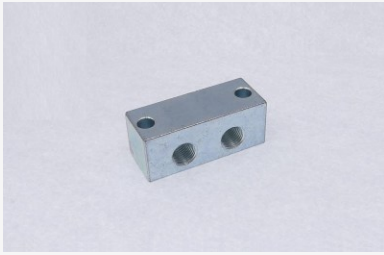
LHF -5029-214

GREASING BLOCK 4 - 316 G M 10 X 1
| D 2 X 6,5 | 25X25 (STAINLESS STEEL)



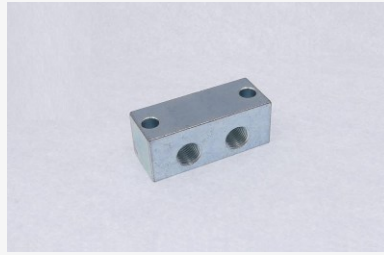


LUBRICATION HOSE & FITTINGS



LHF -5029-215

GREASING BLOCK 5 - 316 G M 10 X 1
| D 2 X 6,5 | 25X25(STAINLESS STEEL)



LHF -5029-216

GREASING BLOCK 6 - 316 G M 10 X 1
| D 2 X 6,5 | 25X25 (STAINLESS STEEL)



LHF -5029-218

GREASING BLOCK 8 - 316 G M 10 X 1
| D 2 X 6,5 | 25X25 (STAINLESS STEEL)



LHF -5029-301

GREASING BLOCK 1 - 316 G 1/8 BSP |
D 2 X 6,5 | 25X25 (STAINLESS STEEL)



LHF -5029-311

GREASING BLOCK 1 - 316 G 1/8 BSP |
D 1 X 6,5 | 25X25 (STAINLESS STEEL)



LHF -5029-312

GREASING BLOCK 2 - 316 G 1/8 BSP |
D 2 X 6,5 | 25X25 (STAINLESS STEEL)



LHF -5029-313

GREASING BLOCK 3 - 316 G 1/8 BSP |
D 2 X 6,5 | 25X25 (STAINLESS STEEL)



LHF -5029-314

GREASING BLOCK 4 - 316 G 1/8 BSP |
D 2 X 6,5 | 25X25 (STAINLESS STEEL)



LHF -5029-315

GREASING BLOCK 5 - 316 G 1/8 BSP |
D 2 X 6,5 | 25X25 (STAINLESS STEEL)





LUBRICATION HOSE & FITTINGS



LHF -5029-316

GREASING BLOCK 6 - 316 G 1/8 BSP |
D 2 X 6,5 | 25X25 (STAINLESS STEEL)



LHF -5029-318

GREASING BLOCK 8 - 316 G 1/8 BSP |
D 2 X 6,5 | 25X25 (STAINLESS STEEL)



PG-537-101418-05

K5 PUMP ELEMENT TO SUIT PG203
(SUITS SKF P203 PUMPS)



PG-537-100271-06

K6 ELEMENT TO SUIT PG203
(SUITS SKF P203 PUMPS)



PG-537-100078-00

K7 ELEMMENT TO SUIT PG203
(SUITS SKF P203 PUMPS)



PG-080-1101003-00

ADJUSTABLE ELEMMENT
TO SUIT PG203 (SUITS SKF P203
PUMPS)



PG-102-102641-01

RELIEF VALVE
TO SUIT PG203 (SUITS SKF P203
PUMPS)



PG-306-102175-00

RELIEF VALVE ADAPTER (SUITS SKF
P203 PUMPS)



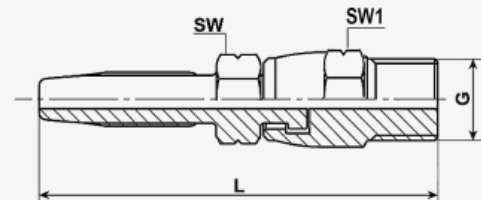
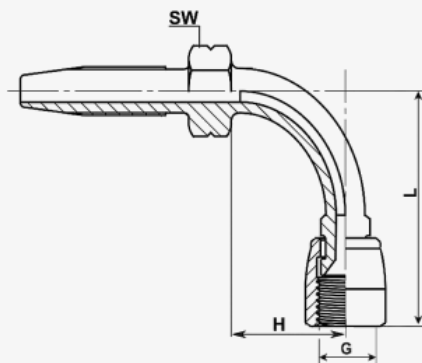
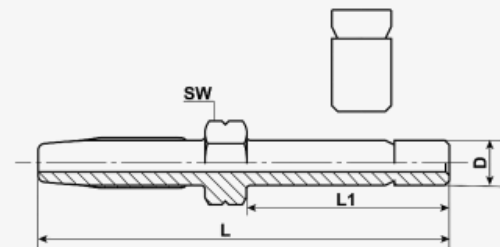
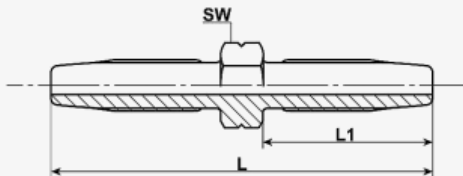
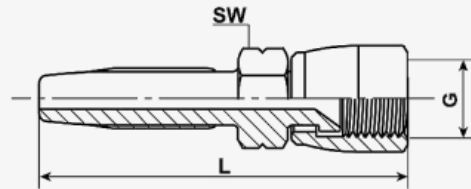
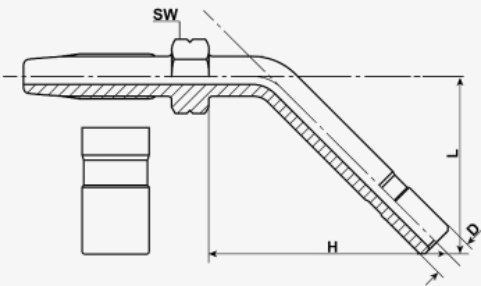
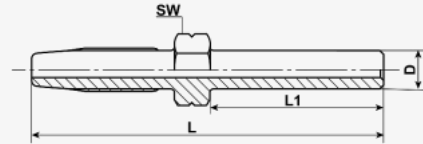
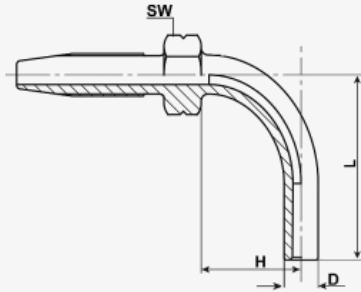
PG-539-113625-00

BRACKET
FOR PG203 INSTALLATION (SUITS SKF
P203 PUMPS)



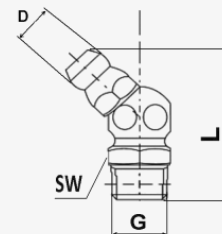
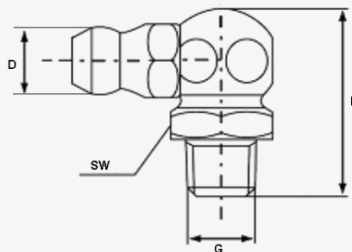
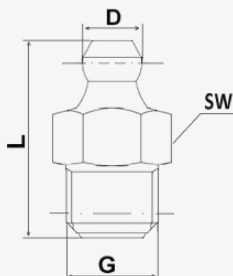
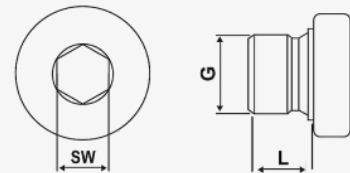
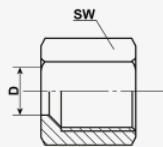
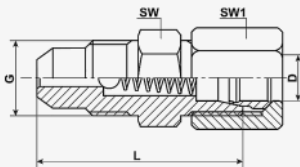
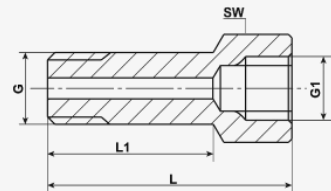
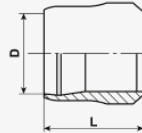
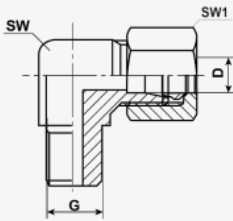
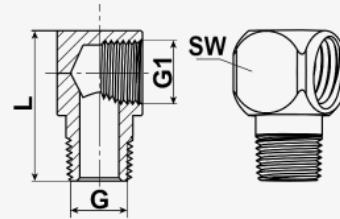
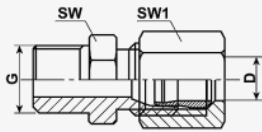
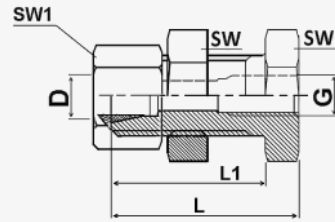
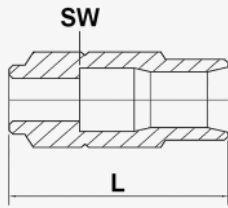
LUBRICATION HOSE & FITTINGS

Dimensional Information



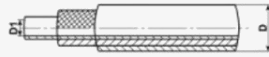
LUBRICATION HOSE & FITTINGS

Dimensional Information

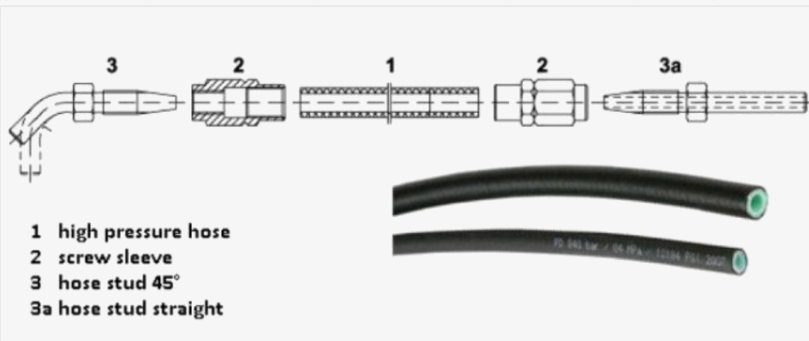


Dimensional Information

High-pressure hoses - 840 bar



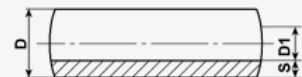
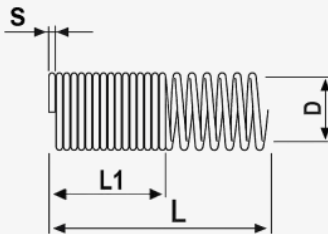
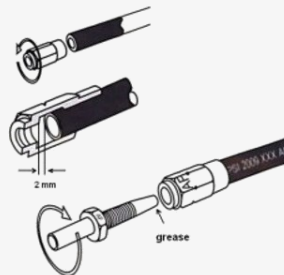
Item No.	D	D1	Grease	m / coil	Box	Palett
100-001	8,6	4,0	NLGI class 2	50 m	250	3000
100-002	8,6	4,0	empty	50 m	250	3000
100-011	11,3	6,3	NLGI class 2	100 m	200	2000
100-012	11,3	6,3	empty	100 m	200	2000



After cutting the hose to the required size, grease first the nozzle tip of the hose stud before assembling. This avoids damages of the inner core of the hose.

Then screw the screw sleeve with the left-hand thread on the end of the hose. Leave a 2 mm space, see drawing.

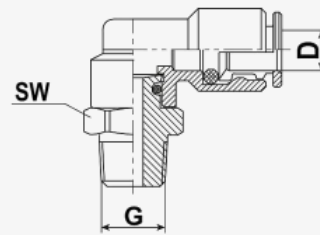
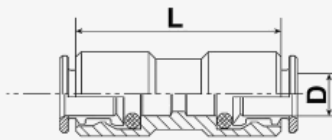
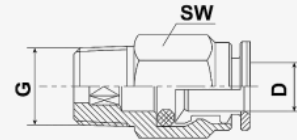
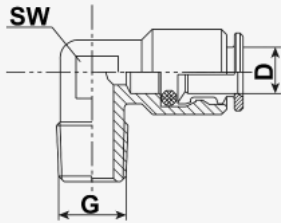
Final, screw the hose stud with right-hand thread. Automatically, the high pressure hose is pressed pressure-resistant with the screw sleeve.





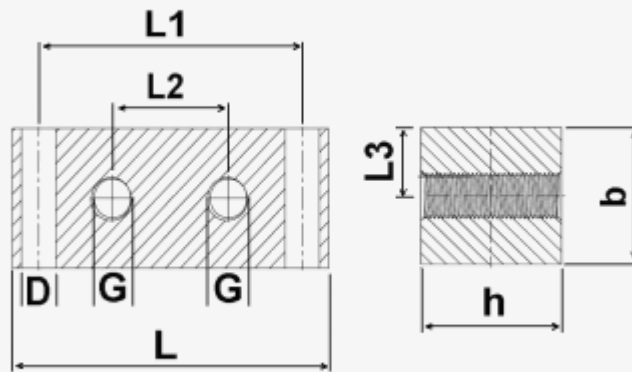
LUBRICATION HOSE & FITTINGS

Dimensional Information





LUBRICATION HOSE & FITTINGS





Contact us for more information

1300 766 413

sales@silverieng.com

www.silverieng.com

