

GREASE RECEIVER & NOZZLE

NEW RELEASE

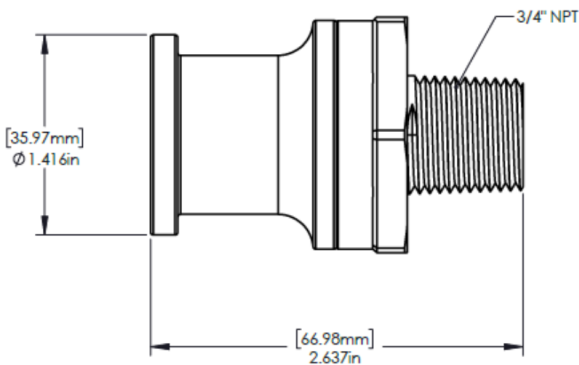


E



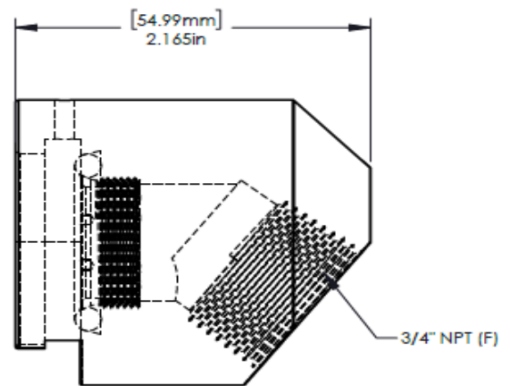
RECEIVER PART #: GRUSA

NOZZLE PART #: GNUSA



3/4" (NPT) M

Matches Competitor Equivalent



3/4" (NPT) F

Matches Competitor Equivalent

Operating Pressure 103 Bar, 1500 PSI

Ideal for Mobile Equipment Service Boxes for Grease Transfer.

Only Through Silveri Engineering & Trading