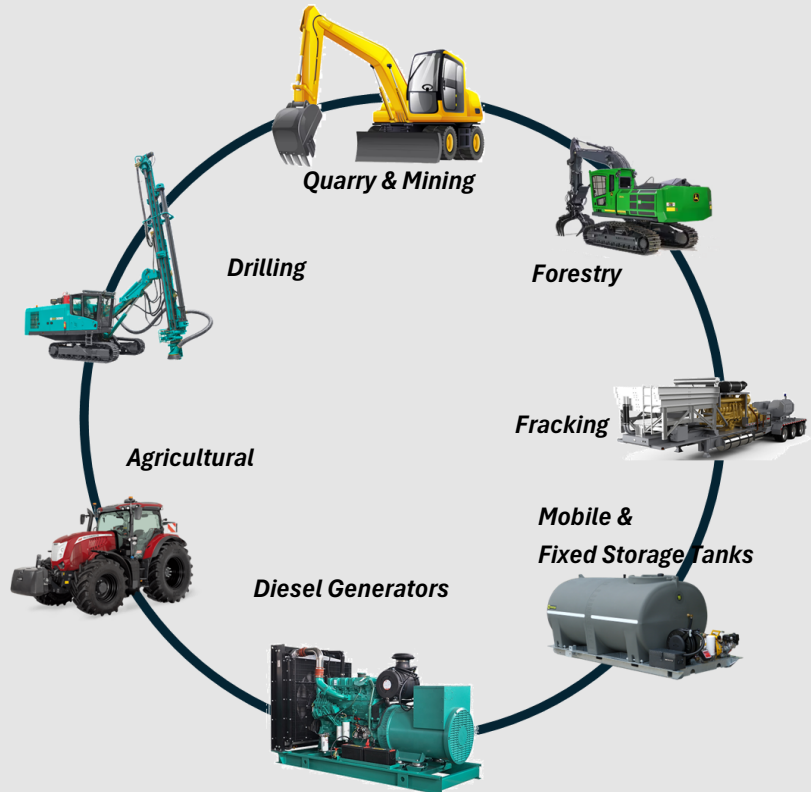


PLA80-HVSC SMALL TANK PRESSURELESS SYSTEM



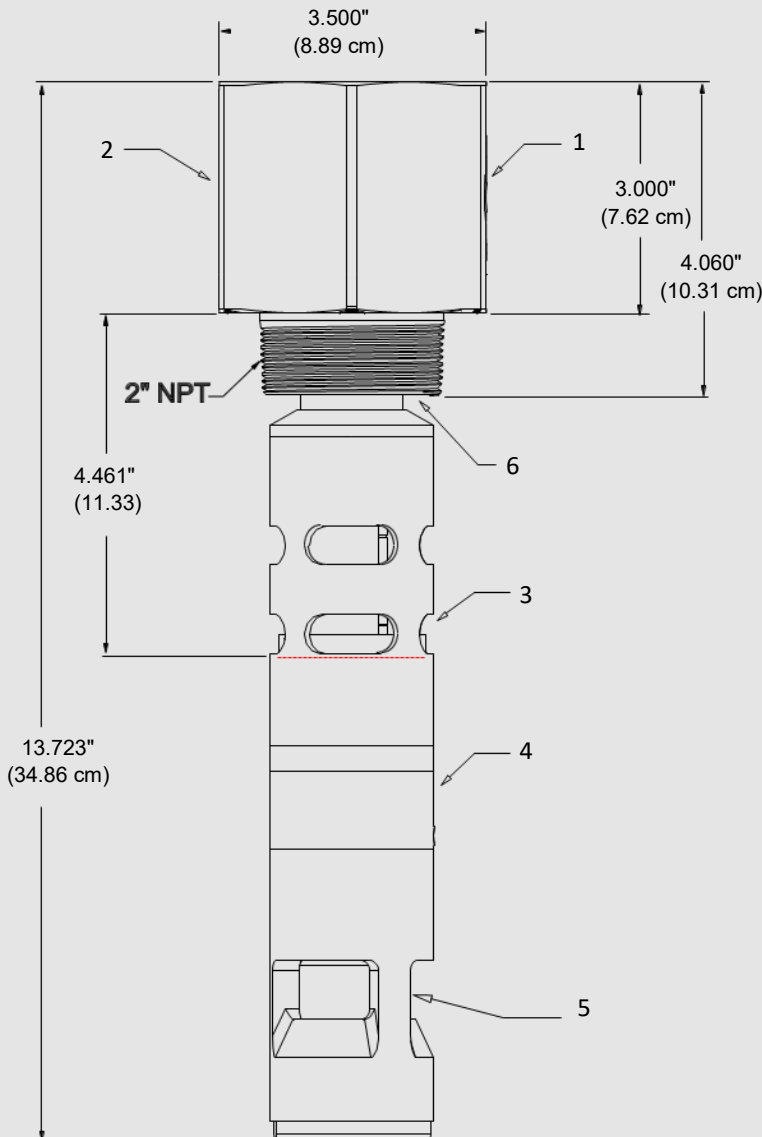
This all-in-one drop-in system fits standard 2" NPT inlets and enables individual tank fill and shutoff for single or multi tank configurations. Once the fuel or oil level reaches 90-95% capacity, the tank will automatically shut off, eliminating under/over filling. The auto shut-off feature works with all standard fuel nozzles (up to 80 GPM). With filtered venting and a dry break fill point, contamination is dramatically decreased. Applications: Agriculture, Small Construction, Oil Extraction and Mass Transit equipment because of its compact design and ease of installation.

FEATURES & BENEFITS

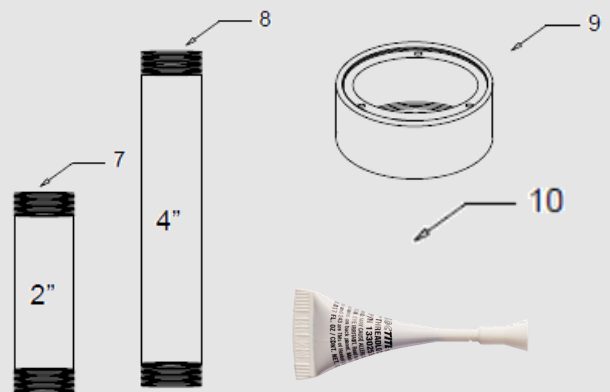
- ◆ Fills and vents in a single 2" NPT port
- ◆ Used with Diesel or Oil
- ◆ Completely pressureless operation
- ◆ Independent tank shut-off when used in daisy chain configurations
- ◆ Low profile filter vent or remote mount
- ◆ Adjustable shutoff level
- ◆ 1-1/4" FNPT fuel inlet threads



PLA80-HVSC SMALL TANK PRESSURELESS SYSTEM



FEATURES	
1	1-1/4" NPT THREADED INLET
2	1" NPT THREAD VENT PORT
3	LEVEL CONTROL FLOAT CHAMBER
4	1" SPACERS (ADD EXTRA ONES HERE)
5	HYDRAULIC-LOCKING SHUTOFF VALVE
6	3" DROP DOWN TUBE (PL80-MZ-1B)



PARTS	
7	2" DROP DOWN TUBE PL80-MZ-1A (INCLUDED)
8	4" DROP DOWN TUBE PL80-MZ-1C (INCLUDED)
9	1" SPACER PL80-MABLK-2 (SOLD SEPARATE)
10	LOCTITE # 243 VLCE-P-9 (INCLUDED)

TECHNICAL INFORMATION (Diesel)

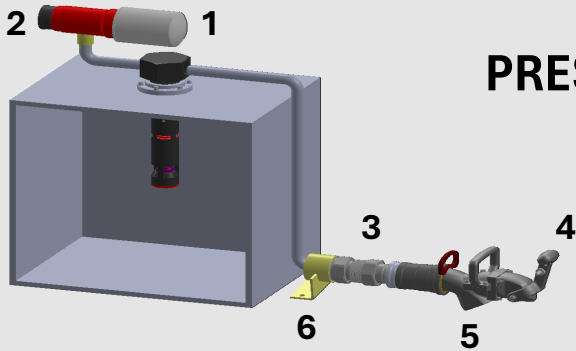
- ◆ Max High Flow Rate 302 LPM / 80 GPM
- ◆ Max Standard Flow Rate 151 LPM / 40 GPM
- ◆ Min Flow Rate 23.6 LPM / 5 GPM
- ◆ Max Operating Temperature 150 F / 65.6 C
- ◆ Min Operating Temperature -30 F / -34.4 CPT vent port threads

OIL APPLICATIONS

- ◆ Compatible with gear oil up to 680 cSt
- ◆ Max Flow Rate 100LPM/25GPM



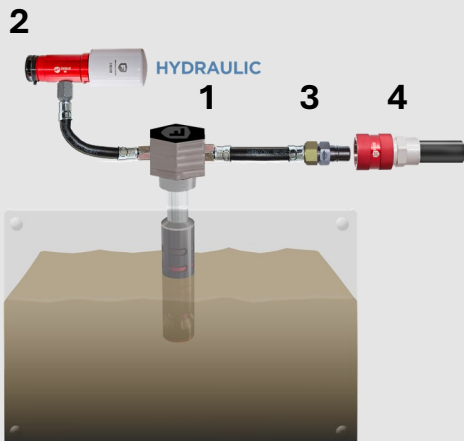
PLA80-HVSC SMALL PRESSURELESS DIESEL TANK



1	PLA80-HVSC	Small Tank Pressureless	
2	FFV150-LP	Low Profile Vent	
3	R150SC-J	Diesel Receiver with Cap	
4	N150AT-AP	Diesel Fuel Nozzle	
5	S150 SWIVEL	1.5" Swivel for Diesel Nozzle	
6	SMB2	Bracket for Receiver	

Customer to supply Hose & Fittings

PLA80-HVSC SMALL PRESSURELESS OIL TANK



1	PLA80-HVSC	Small Tank Pressureless	
2	FFV150-LP	Low Profile Vent	
3	R150SC-J	Diesel Receiver with Cap	
4	N150SB	Diesel Fuel Nozzle	

Customer to supply Hose & Fittings



PLA80-HVSC SMALL TANK PRESSURELESS SYSTEM

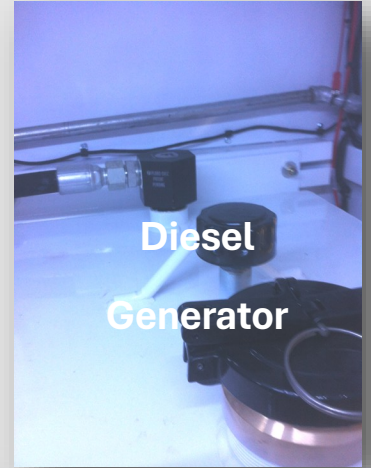
Applications



Small Dozer



Oil Storage Tanks



Diesel Generator



Service Truck



Transportation Semi



Small Excavator



Service Truck



Service Truck



Diesel Refuelling Tanks

