



N150PB PITBOSS DIESEL NOZZLE



"FLUID EQUIPMENT SPECIALISTS"

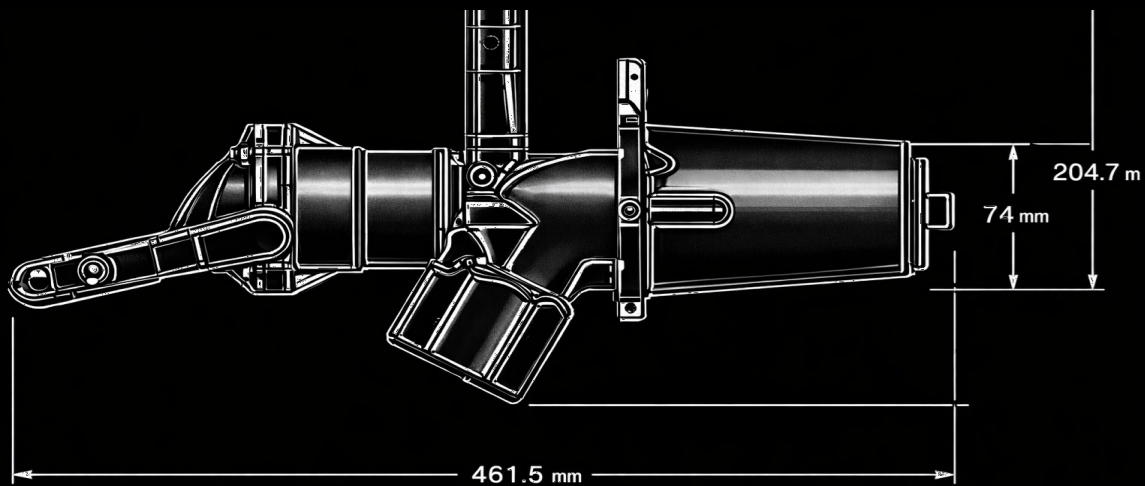
Mining | Quarry | Construction Equipment

WWW.SILVERIENG.COM | SALES@SILVERIENG.COM | 1300 716 413 | WHATSAPP +61 458 047 075

N150PB PITBOSS DIESEL NOZZLE

The Pitboss diesel fuel nozzle is a perfect fit for a more economic solution. The latching device of this nozzle is most forgiving model in muddy or severely dirty environments. Fewer internal components and a compact housing make this one of the lightest diesel nozzles available. With all metal construction, piston driven engagement, and a familiar non-slip powder-coat finish.

MAX OPERATING:	5.17 BAR, 75 PSI
PRESSURE MAX FLOW:	567 LPM, 150 GPM RATE
MIN FLOW RATE:	95 LPM, 25 GPM
FUEL INLET THREADS:	1-1/2" NPT
WEIGHT: ALUMINIUM	2.9 KG,
LATCHING MECHANISM:	ELASTODOG



- ◆ **Durable all-metal construction** – Built with robust metal and fewer internal components to resist wear and reduce failure points.
- ◆ **Powder-coated non-slip finish** – Improves grip in rugged working environments and helps prevent slips when handling the nozzle.
- ◆ **High flow capacity** – Typically supports flow rates up to around **567 LPM (150 GPM)**, making it suitable for fast refuelling of diesel equipment.
- ◆ **Wide operating range** – Designed to operate efficiently across a broad range of flow rates (approx. **25–150 GPM**) to accommodate different fuelling conditions.
- ◆ **Secure latching mechanism** – Uses a rugged latch system (e.g., **ball bearing** or **Elastodog**) to ensure a reliable connection to the receiver under harsh conditions.
- ◆ **Piston-driven shutoff engagement** – The piston shutoff design improves long-term reliability and reduces wear over many fuelling cycles.
- ◆ **Front-end plug (optional)** – A protective plug can keep the latching area clean, reducing dirt/contamination and prolonging service life.
- ◆ **Standard inlet size** – Usually fitted with **1-1/2" inlet threads**, making it compatible with common diesel refuelling system



**S150, S512, S200, S215
STRAIGHT HOSE SWIVELS
STRAIGHT HOSE SWIVELS WITH ALL ALUMINIUM
CONSTRUCTION**