



**HIGH PRESSURE & QUICK CONNECT
LUBRICATION HOSE & FITTINGS
COMMON PICTORIAL INDEX**



WWW.SILVERIENG.COM

SALES@SILVERIENG.COM

1300 766 413

+61 458 047 075

+61 3 9427 2117

**65 CHELMSFORD STREET WILLIAMSTOWN NORTH
VICTORIA AUSTRALIA 3016**

Mining | Quarry | Agriculture | Construction | Manufacturing | Industrial

HIGH PRESSURE GREASE LUBRICATION HOSE & FITTINGS

Mining | Quarry | Agriculture | Construction | Manufacturing | Industrial



3511-111 HOSE STUD 90° GROOVED D 1/4" | H 28 | L 37 | HOSE Ø 4



3510-110 HOSE STUD STRAIGHT D 1/4 | L 61 | L1 30 | HOSE Ø 4



3510-101 HOSE STUD STRAIGHT LL | D 6 | G M 10X1 | L 39 | HOSE Ø 4



100-057-NUT ; HOSE STUD 45° GROOVED | D 6 | H 24 | L 15 | HOSE Ø 4



100-059 HOSE STUD 90° D 6 | H 14 | L 33 | HOSE Ø 4



100-057-NUT HOSE STUD 45° GROOVED D 6 | H 24 | L 15 | HOSE Ø 4



100-057 HOSE STUD 45° D 6 | H 24 | L 15 | HOSE Ø 4



100-056 HOSE STUD 90° D 6 | H 28 | L 53 | HOSE Ø 4



100-055 HOSE STUD STRAIGHT D 6 | L 55 | L1 24 | HOSE Ø 4



100-053-NUT-SW HOSE STUD 90° GROOVED, BLACK D 6 | H 28 | L 37 | HOSE Ø 4



100-052 HOSE STUD 90° D 6 | H 13 | L 21 | HOSE Ø 4



100-051-VA HOSE STUD STRAIGHT, 316 D 6 | L 61 | L1 30 | HOSE Ø 4

HIGH PRESSURE GREASE LUBRICATION HOSE & FITTINGS

Mining | Quarry | Agriculture | Construction | Manufacturing | Industrial



100-051-NUT-SW HOSE STUD STRAIGHT
GROOVED, BLACK D 6 | L 61 | L1 30 |
HOSE Ø 4



100-051-8 HOSE STUD STRAIGHT D 8 | L
61 | L1 30 | HOSE Ø 4



100-051-1 HOSE STUD STRAIGHT D 1/8
NPT | L 56 | HOSE Ø 1/8



100-051-NUT-SW ; HOSE STUD STRAIGHT
GROOVED, BLACK | D 6 | L 61 | L1 30 |
HOSE Ø 4



100-054-NUT-SW ; HOSE STUD STRAIGHT
GROOVED, BLACK | D 6 | L 52,5 | L1 21,5 |
HOSE Ø 4



100-053-NUT ; HOSE STUD 90° GROOVED
| D 6 | H 28 | L 37 | HOSE Ø 4



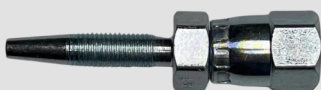
100-061; HOSE STUD STRAIGHT | L 56 | L1
25 | HOSE Ø 4



SE-STJIC908.6SS; STAINLESS 90 DEG 7/16
JIC REUSABLE HOSE END FOR 8.6; JIC
FEM 90DEG DN4 HOSE (1PC) 4.1 ID



3511-114 HOSE STUD 90° JIC | D JIC 37°
7/16 | H 20,7 | L 25,7 | HOSE Ø 4



3510-114 ; HOSE STUD STRAIGHT JIC | D
JIC 37° 7/16 | L 27,5 | SW 14 | HOSE Ø 4



SE-ST JIC8.6SS; STAINLESS STRAIGHT
7/16 JIC REUSABLE HOSE END FOR 7/16"
JIC FEM STR DN4 HOSE (1PC) 4.1 ID



100-051 HOSE STUD STRAIGHT D 6 | L 61 |
L1 30 | HOSE Ø 4

HIGH PRESSURE GREASE LUBRICATION HOSE & FITTINGS

Mining | Quarry | Agriculture | Construction | Manufacturing | Industrial



3511-116 ; HOSE STUD 90° GROOVED, BLACK | D 6 | H 17 | L 28 | HOSE Ø 4



100-050 ; SCREW SLEEVE | L 28 | SW 12 | HOSE Ø 4



100-050-SW ; SCREW SLEEVE BLACK | L 28 | SW 12 | HOSE Ø 4



SE-SE SSSS; STAINLESS SCREW SLEEVE FERRULE SUIT 8.6 OD DN4 HOSE



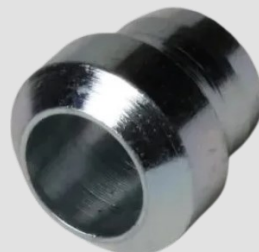
106-241-L SE-ST; BULKHEADS STRAIGHT - 48 MM - Ø 6 MM - STEEL, GALVANIZED



106-004 STRAIGHT MALE SCREW-IN FITTING LL | D 6 | G R 1/8 BSP TAP | SW 11 | SW1 12



106-300 ; EQUAL TEE CONNECTOR | LL | D 6



106-210 ; CUTTING RING | LL | D 6



106-200 ; COUPLING NUT 24° | LL | D 6 | SW 12



106-000 ; STRAIGHT TUBE CONNECTOR | LL | D 6 | D1 6



106-001 ; STRAIGHT MALE SCREW-IN FITTING | LL | D 6 | G M 6 X 1 TAP | SW 11 | SW1 12



106-002 ; STRAIGHT MALE SCREW-IN FITTING | LL | D 6 | G M 8 X 1 TAP | SW 11 | SW1 12

HIGH PRESSURE GREASE LUBRICATION HOSE & FITTINGS

Mining | Quarry | Agriculture | Construction | Manufacturing | Industrial



106-221-L ; BULKHEAD STRAIGHT | L | D 6
| L 48



106-003 ; STRAIGHT MALE SCREW-IN FITTING | LL | D 6 | G M 10 X 1 TAP | SW 11 | SW1 12



106-004-NPT ; STRAIGHT MALE SCREW-IN FITTING | LL | D 6 | G 1/8 NPT | SW 11 | SW1 12



106-005 ; STRAIGHT MALE SCREW-IN FITTING | LL | D 6 | G R 1/4 BSP TAP | SW 11 | SW1 12



100-722 ; ADAPTER 90° | G M 8 X 1 TAP | G1 M 8 X 1 | SW 23 | SW 12



100-723 ; ADAPTER 90° | G M 10 X 1 TAP | G1 M 8 X 1 | SW 23 | SW 12



100-822 ; ADAPTER 45° | G M 8 X 1 TAP | G1 M 8X1 | L 23 | SW 13



100-050-VA SCREW SLEEVE 316 L 28 | SW 12 | HOSE Ø 4



100-823 ; ADAPTER 45° | G M 10 X 1 TAP | G1 M 8X1 | L 23 | SW 13



106-102 ; ELBOW MALE SCREW-IN FITTING | LL | D 6 | G 8 X 1 TAP | SW 11 | SW1 12



106-102-8X1,25 ; ELBOW MALE SCREW-IN FITTING | LL | D 6 | G 8 X 1,25 TAP | SW 11 | SW1 12



106-103 ; ELBOW MALE SCREW-IN FITTING | LL | D 6 | G 10 X 1 TAP | SW 11 | SW1 12

HIGH PRESSURE GREASE LUBRICATION HOSE & FITTINGS

Mining | Quarry | Agriculture | Construction | Manufacturing | Industrial



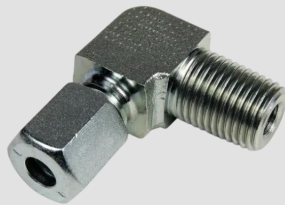
106-101; ELBOW MALE SCREW-IN FITTING
| LL | D 6 | G 6 X 1 TAP | SW 11 | SW 1 12



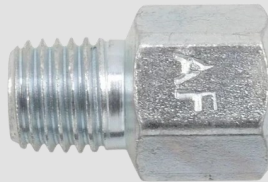
106-104; ELBOW MALE SCREW-IN FITTING
| LL | D 6 | G R 1/8 BSP TAP | SW 11 | SW 1
12



106-104-NPT; ELBOW MALE SCREW-IN
FITTING | LL | D 6 | G 1/8 NPT | SW 11 |
SW 1 12



106-105-L; ELBOW MALE SCREW-IN FIT-
TING | L | D 6 | G R 1/4 BSP TAP | SW 12 |
SW 1 14



100-120; ADAPTER - EXTENSION-PIECE |
G M 6 X 1 TAP | G 1 M 8 X 1 L L 19 | SW 11



100-130; ADAPTER - EXTENSION-PIECE |
G M 8 X 1 TAP | G 1 M 8 X 1 L L 18 | SW 11



100-170; ADAPTER - EXTENSION-PIECE |
G M 8 X 1 TAP | G 1 RP 1/8 BSP L L 23 | SW
13



106-003-RVL; NON-RETURN VALVE 24°
WITH CLAMPING RING COMPLETE | LL | D
6 | G M 10 X 1 | BLACK



100-141; ADAPTER - EXTENSION-PIECE |
G M 10 X 1 TAP | G 1 M 10 X 1 L L 23 | SW 13



100-243-SW; CLOSURE PLUG STEEL
BLACK | G M 10 X 1 | L 4,5



2510-106; ADAPTER - EXTENSION-PIECE
| G M 10 X 1 TAP | G 1 RP 1/8 BSP L L 18 |
SW 13

HIGH PRESSURE GREASE LUBRICATION HOSE & FITTINGS

Mining | Quarry | Agriculture | Construction | Manufacturing | Industrial



100-004 PLASTIC TUBE PA 12 HL SEMI-RIGID DIN 73378 D 6 | S 1,5 | BLACK | FILLED



100-003-25 PLASTIC TUBE PA 12 HL SEMI-RIGID DIN 73378 D 6 | S 1,5 | BLACK | UN-FILLED



100-006 ; GPLASTIC TUBE PA 12 HIPHL FLEXIBLE DIN 73378 | D 4 | S 0,85 | BLACK | UNFILLED



100-046-VA SPRING COIL LONG 304 D 10,6 | L 2000 | S 1,2



100-047-VA SPRING COIL LONG 304 D 10,6 | L 5000 | S 1,2



100-045-VA SPRING COIL SHORT 304 D 10,6 | L 200 | L1 19,2 | S 1,2



100-001; HIGH PRESSURE HOSE - 840 BAR | Ø 4 | GREASE FILLED



100-002 HIGH PRESSURE HOSE - 840 BAR | Ø 4 | UNFILLED



100-041 SPIRAL WRAP D 11,5 | L 10 | S 1,5



100-040 ; SPIRAL WRAP | D 6 | L 10 | S 1



SILVERIENG.COM

1300 766 413

SALES@SILVERIENG.COM

HIGH PRESSURE GREASE LUBRICATION HOSE & FITTINGS

Mining | Quarry | Agriculture | Construction | Manufacturing | Industrial



5029-111; GREASING BLOCK GG 1/8 BSP |
D 2 x 6,5 | 20x20



5029-112; GREASING BLOCK G G 1/8 BSP |
D 2 x 6,5 | 20x20



5029-113 GREASING BLOCK GG 1/8 BSP |
D 2 x 6,5 | 20x20



5029-114; GREASING BLOCK GG 1/8 BSP |
D 2 x 6,5 | 20x20



5029-115; GREASING BLOCK GG 1/8 BSP |
D 2 x 6,5 | 20x20



5029-116; GREASING BLOCK GG 1/8 BSP |
D 2 x 6,5 | 20x20



5029-119; GREASING BLOCK G 1/8 BSP | D
2 x 6,5 | 20x20



250-001 ; GREASE NIPPLE - M6 X 1 KEG -
STEEL, GALVANIZED



250-003; GREASE NIPPLE - M6X0,75 -
STEEL GALVANIZED



251-003; GREASE NIPPLE - 45°- ANGLED -
M10 X 1 KEG - STEEL, GALVANIZED



251-004 GREASE NIPPLE 45° G R 1/8
BSPT H 2 DIN 71412 B



250-004, GREASE NIPPLE G R 1/8 BSPT H
1 DIN 71412 A

WWW.SILVERIENG.COM | SALES@SILVERIENG.COM | 1300 766 413 | +61 458 047 075 | +61 3 9427 2117

65 CHELMSFORD STREET WILLIAMSTOWN NORTH VICTORIA AUSTRALIA 3016



SILVERIENG.COM

1300 766 413

SALES@SILVERIENG.COM

HIGH PRESSURE GREASE LUBRICATION HOSE & FITTINGS

Mining | Quarry | Agriculture | Construction | Manufacturing | Industrial



5029-301 GREASING BLOCK 1 - 316 G 1/8
BSP | D 2 X 6,5 | 25X25(SPECIAL ORDER -
ALLOW 2 WEEKS)



5029-311 GREASING BLOCK 1 - 316 G 1/8
BSP | D 1 X 6,5 | 25X25(SPECIAL ORDER -
ALLOW 2 WEEKS)



5029-312 GREASING BLOCK 2 - 316 G 1/8
BSP | D 2 X 6,5 | 25X25(SPECIAL ORDER -
ALLOW 2 WEEKS)



5029-313 GREASING BLOCK 3 - 316 G 1/8
BSP | D 2 X 6,5 | 25X25(SPECIAL ORDER -
ALLOW 2 WEEKS)



5029-314 GREASING BLOCK 4 - 316 G 1/8
BSP | D 2 X 6,5 | 25X25(SPECIAL ORDER -
ALLOW 2 WEEKS)



5029-315 GREASING BLOCK 5 - 316 G 1/8
BSP | D 2 X 6,5 | 25X25(SPECIAL ORDER -
ALLOW 2 WEEKS)



5029-316 GREASING BLOCK 6 - 316 G 1/8
BSP | D 2 X 6,5 | 25X25(SPECIAL ORDER -
ALLOW 2 WEEKS)



5029-318 GREASING BLOCK 8 - 316 G 1/8
BSP | D 2 X 6,5 | 25X25(SPECIAL ORDER -
ALLOW 2 WEEKS)

WWW.SILVERIENG.COM | SALES@SILVERIENG.COM | 1300 766 413 | +61 458 047 075 | +61 3 9427 2117

65 CHELMSFORD STREET WILLIAMSTOWN NORTH VICTORIA AUSTRALIA 3016



SILVERIENG.COM

1300 766 413

SALES@SILVERIENG.COM

HIGH PRESSURE GREASE LUBRICATION HOSE & FITTINGS

Mining | Quarry | Agriculture | Construction | Manufacturing | Industrial



5029-211 GREASING BLOCK 1 - 316 G M
10 X 1 | D 1 X 6,5 | 25X25(SPECIAL ORDER
- ALLOW 2 WEEKS)



5029-212 GREASING BLOCK 2 - 316 G M
10 X 1 | D 2 X 6,5 | 25X25(SPECIAL ORDER
- ALLOW 2 WEEKS)



5029-212 GREASING BLOCK 2 - 316 G M
10 X 1 | D 2 X 6,5 | 25X25(SPECIAL ORDER
- ALLOW 2 WEEKS)



5029-213 GREASING BLOCK 3 - 316 G M
10 X 1 | D 2 X 6,5 | 25X25(SPECIAL ORDER
- ALLOW 2 WEEKS)



5029-214 GREASING BLOCK 4 - 316 G M
10 X 1 | D 2 X 6,5 | 25X25(SPECIAL ORDER
- ALLOW 2 WEEKS)



5029-215 GREASING BLOCK 5 - 316 G M
10 X 1 | D 2 X 6,5 | 25X25(SPECIAL ORDER
- ALLOW 2 WEEKS)



5029-216 GREASING BLOCK 6 - 316 G M
10 X 1 | D 2 X 6,5 | 25X25(SPECIAL ORDER
- ALLOW 2 WEEKS)



5029-218 GREASING BLOCK 8 - 316 G M
10 X 1 | D 2 X 6,5 | 25X25(SPECIAL ORDER
- ALLOW 2 WEEKS)

WWW.SILVERIENG.COM | SALES@SILVERIENG.COM | 1300 766 413 | +61 458 047 075 | +61 3 9427 2117

65 CHELMSFORD STREET WILLIAMSTOWN NORTH VICTORIA AUSTRALIA 3016

QUICK CONNECT GREASE LUBRICATION FITTINGS

Mining | Quarry | Agriculture | Construction | Manufacturing | Industrial



106-110 ; STRAIGHT QUICK CONNECTOR |
D 6 | L 29,5



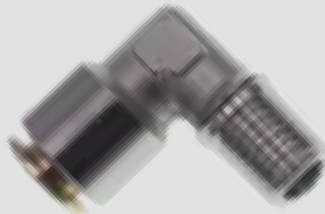
106-153 ; ELBOW QUICK CONNECTOR | D
6 | G M 10 X 1 TAP | SW 10



106-113 ; ELBOW QUICK CONNECTOR
PIVOTABLE | D 6 | G M 10 X 1 TAP | SW 13



106-111 ; ELBOW QUICK CONNECTOR
PIVOTABLE | D 6 | G M 6 X 1 TAP | SW 13



106-112 ; ELBOW QUICK CONNECTOR
PIVOTABLE | D 6 | G M 8 X 1 TAP | SW 13



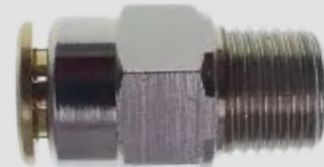
106-054 ; QUICK CONNECTOR STRAIGHT |
D 6 | G R 1/8 BSP TAP | SW 12



106-051 ; QUICK CONNECTOR STRAIGHT |
D 6 | G M 6 X 1 TAP | SW 12



106-053 ; QUICK CONNECTOR STRAIGHT |
D 6 | G M 10 X 1 TAP | SW 12



106-052 ; QUICK CONNECTOR STRAIGHT |
D 6 | G M 8 X 1 TAP | SW 12



106-114 ; ELBOW QUICK CONNECTOR
PIVOTABLE | D 6 | G R 1/8 BSP TAP | SW
13



106-151 ; ELBOW QUICK CONNECTOR | D
6 | G M 6 X 1 TAP | SW 10



106-154 ; ELBOW QUICK CONNECTOR | D
6 | G R 1/8 BSP TAP | SW 10

QUICK CONNECT GREASE LUBRICATION FITTINGS

Mining | Quarry | Agriculture | Construction | Manufacturing | Industrial



106-152 ; ELBOW QUICK CONNECTOR | D 6 | G M 8 X 1 TAP | SW 10



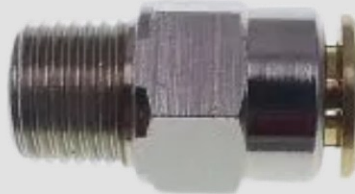
2010-102 QUICK CONNECTOR STRAIGHT D 1/4" | G 1/8 NPT | SW 12



2011-102 ELBOW QUICK CONNECTOR D 1/4" | G 1/8 NPT | SW 10



104-054 QUICK CONNECTOR STRAIGHT D 4 | G R 1/8 BSP TAP | SW 10



2010-101 QUICK CONNECTOR STRAIGHT D 1/4" | G 1/4 - 28 UNF | SW 12



104-114 ELBOW QUICK CONNECTOR PIVOTABLE D 4 | G R 1/8 BSP TAP | SW 13



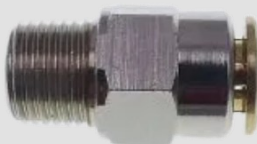
2012-102 ELBOW QUICK CONNECTOR PIVOTABLE D 1/4" | G 1/8 NPT | SW 13



2012-102 ELBOW QUICK CONNECTOR PIVOTABLE D 1/4" | G 1/8 NPT | SW 13



104-154 ELBOW QUICK CONNECTOR D 4 | G R 1/8 BSP TAP | SW 10



2010-102 QUICK CONNECTOR STRAIGHT D 1/4" | G 1/8 NPT | SW 12



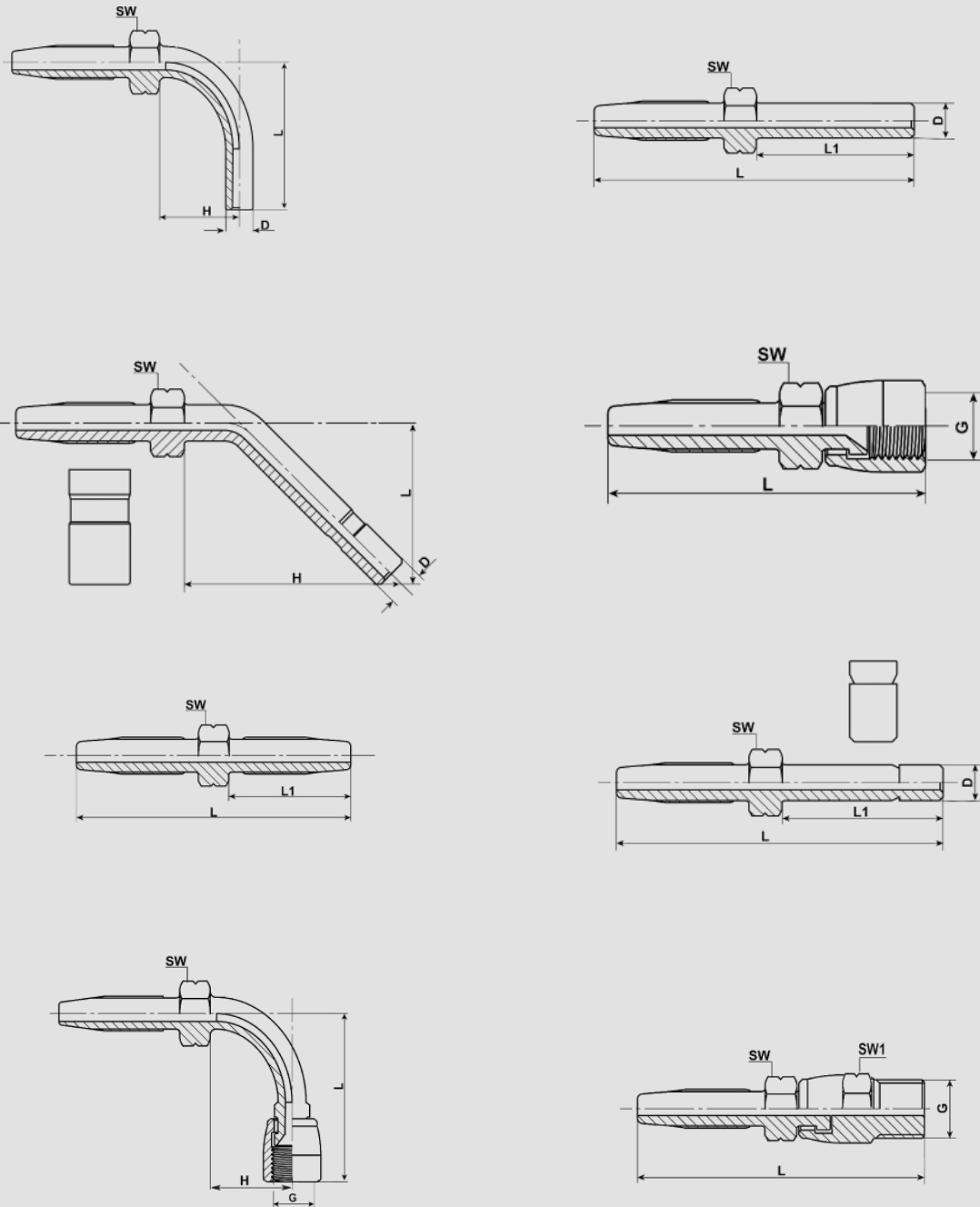
2010-101 QUICK CONNECTOR STRAIGHT D 1/4" | G 1/4 - 28 UNF | SW 12



106-115-UNF ELBOW QUICK CONNECTOR PIVOTABLE D 6 | G 1/4 - 28 UNF | SW 13

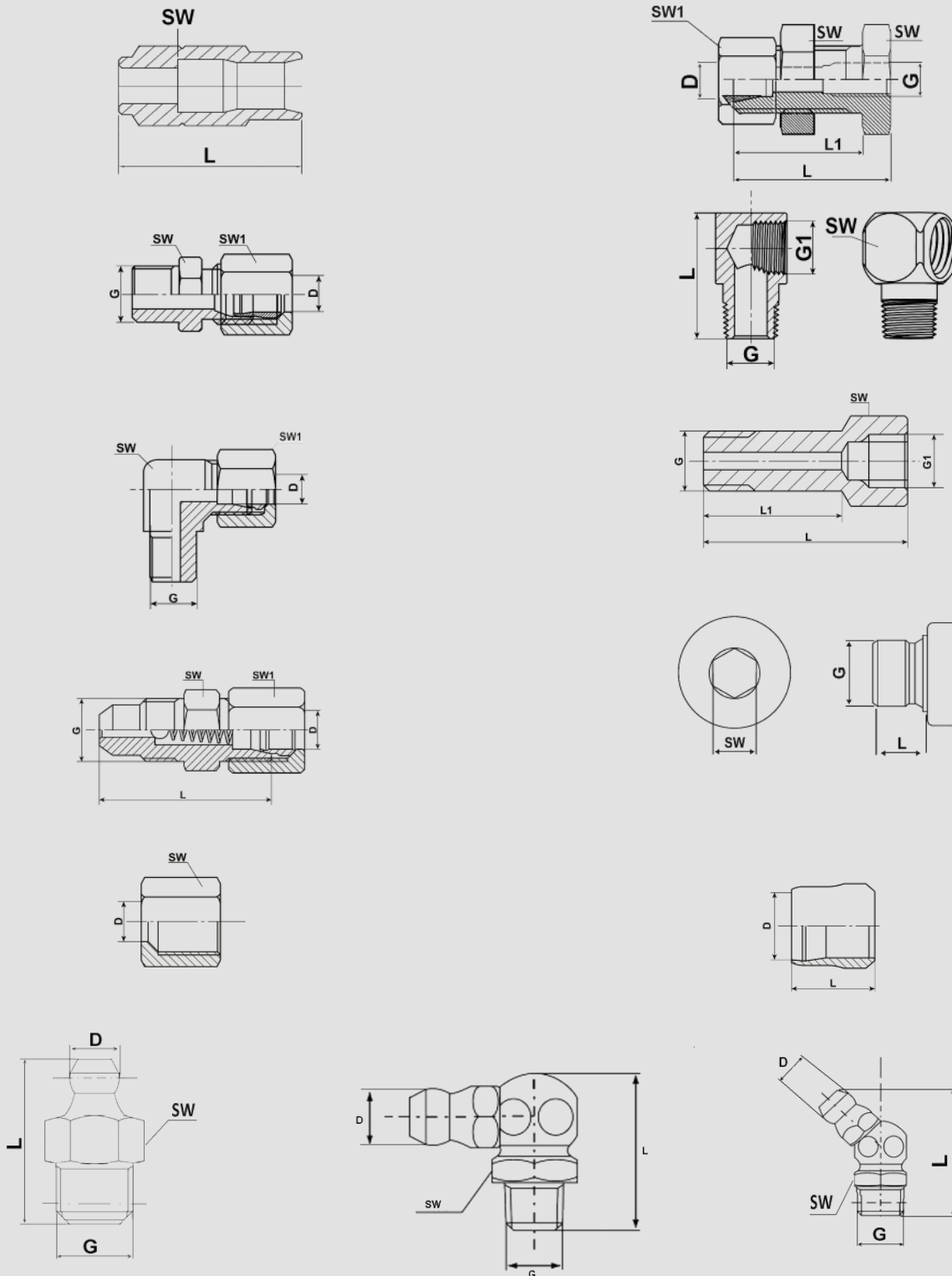
HIGH PRESSURE GREASE LUBRICATION HOSE & FITTINGS

Mining | Quarry | Agriculture | Construction | Manufacturing | Industrial



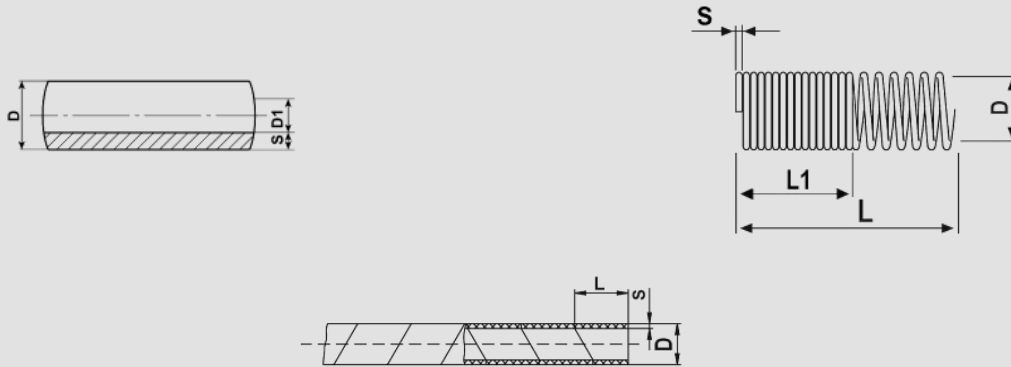
HIGH PRESSURE GREASE LUBRICATION HOSE & FITTINGS

Mining | Quarry | Agriculture | Construction | Manufacturing | Industrial



HIGH PRESSURE GREASE LUBRICATION HOSE & FITTINGS

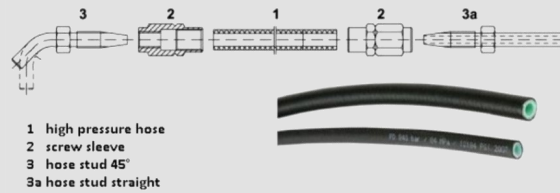
Mining | Quarry | Agriculture | Construction | Manufacturing | Industrial



High-pressure hoses - 840 bar



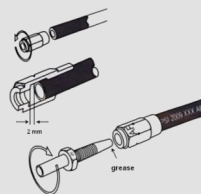
Item No.	D	D1	Grease	m / coil	Box	Palett
100-001	8,6	4,0	NLGI class 2	50 m	250	3000
100-002	8,6	4,0	empty	50 m	250	3000
100-011	11,3	6,3	NLGI class 2	100 m	200	2000
100-012	11,3	6,3	empty	100 m	200	2000



After cutting the hose to the required size, grease first the nozzle tip of the hose stud before assembling. This avoids damages of the inner core of the hose.

Then screw the screw sleeve with the left-hand thread on the end of the hose. Leave a 2 mm space, see drawing.

Final, screw the hose stud with right-hand thread. Automatically, the high pressure hose is pressed pressure-resistant with the screw sleeve.





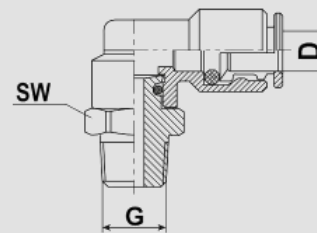
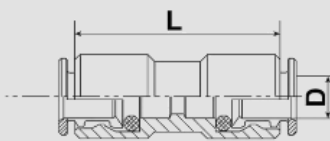
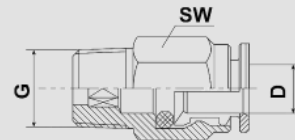
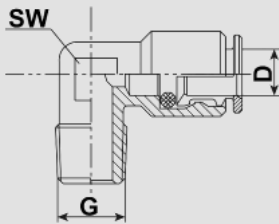
SILVERIENG.COM

1300 766 413

SALES@SILVERIENG.COM

HIGH PRESSURE GREASE LUBRICATION HOSE & FITTINGS

Mining | Quarry | Agriculture | Construction | Manufacturing | Industrial



WWW.SILVERIENG.COM | SALES@SILVERIENG.COM | 1300 766 413 | +61 458 047 075 | +61 3 9427 2117

65 CHELMSFORD STREET WILLIAMSTOWN NORTH VICTORIA AUSTRALIA 3016



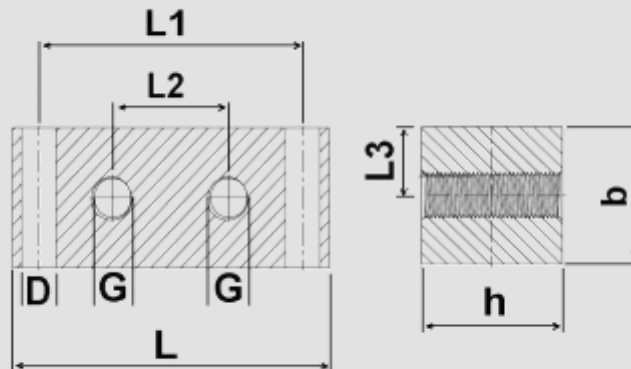
SILVERIENG.COM

1300 766 413

SALES@SILVERIENG.COM

HIGH PRESSURE GREASE LUBRICATION HOSE & FITTINGS

Mining | Quarry | Agriculture | Construction | Manufacturing | Industrial



WWW.SILVERIENG.COM | SALES@SILVERIENG.COM | 1300 766 413 | +61 458 047 075 | +61 3 9427 2117

65 CHELMSFORD STREET WILLIAMSTOWN NORTH VICTORIA AUSTRALIA 3016